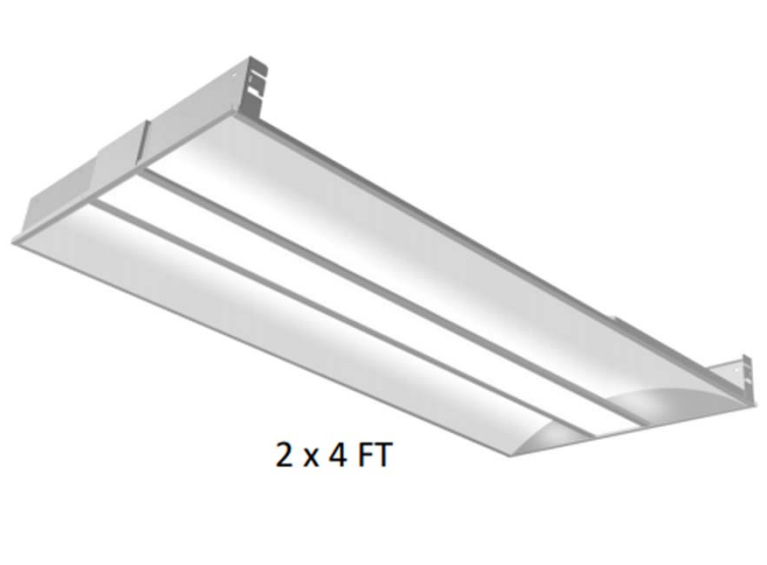


PROJECT:
TYPE:

TRANSPARENT TROFFER 2x2 & 2x4

The TT Series Troffer offers a traditional yet modern design with the latest lighting technology. High performing optics allows for maximum energy savings and optimal illumination in a ultra-minimalistic shallow recessed fixture, which provides a unique translucent appearance without sacrificing performance. This troffer can be used for a variety of applications including, but not limited to commercial, residential and hospitality



ORDERING INFORMATION

Model	Watts	Lumen	Color Temp	CRI	Finish
LI-TT22-R	1 - 25W	1 - 3250	1 - Tunable White	1 - >83	1 -White
LI-TT24-R	2 - 50W	1 - 6500			

Features:

- Material: PC +Aluminum.
- Lightweight housing is cleverly designed for structural integrity and durability.
- High efficiency acrylic center lens features linear prisms for superior performance without LED pixilation
- Add quiet elegance to commercial spaces with the simplicity and modularity of this popular form.

Electrical:

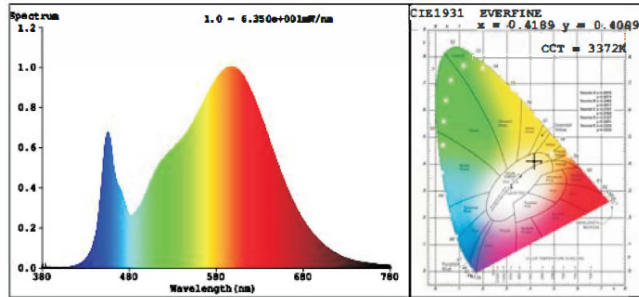
- **Input Voltage:** Poe Compatible
- **Wattage (W):** 25W, 50W
- **Lumens (L):** 3250lm, 6500lm
- **CRI:** >83
- **Damp location rated:**IP20
- **Controls:** 0-10V dimming with Poe driver



POWERED BY LED INDUSTRIES

TRANSPARENT TROFFER 2x2 & 2x4

SPECTRAL POWER DISTRIBUTION & CHROMATICITY DIAGRAM



ZONAL LUMEN TABULATION

Zonal Lumen Summary		
Zone	Lumens	%Luminaire
0-30	868.2	21.3%
0-40	1,492.8	36.6%
0-60	2,951.1	72.3%
60-90	1,122.5	27.5%
70-100	485.2	11.9%
90-120	4.8	0.1%
0-90	4,073.6	99.8%
90-180	9.3	0.2%
0-180	4,082.8	100%

Lumens Per Zone					
Zone	Lumens	% Total	Zone	Lumens	% Total
0-10	99.4	2.4%	90-100	1.5	0%
10-20	294.1	7.2%	100-110	1.6	0%
20-30	474.6	11.6%	110-120	1.7	0%
30-40	624.7	15.3%	120-130	1.6	0%
40-50	721.7	17.7%	130-140	1.2	0%
50-60	736.5	18.0%	140-150	0.8	0%
60-70	638.8	15.6%	150-160	0.5	0%
70-80	390.6	9.6%	160-170	0.3	0%
80-90	93.1	2.3%	170-180	0.1	0%

PHOTOMETRIC DATA

