



POWERED BY LED INDUSTRIES

PROJECT:

TYPE:

JUPE PENDANT

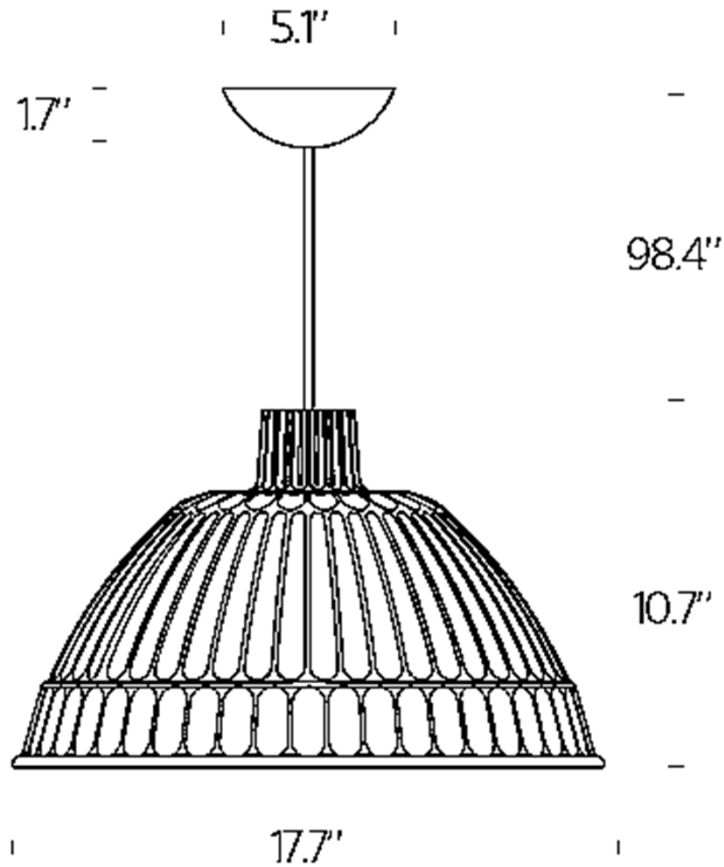
The Jupe Pendant is fun transitional piece suited for classic and modern décor setting. The fixture is a beautifully crafted piece, with an open bottom shade to cast light downwards in a round and even shape. This light is something that any designer can appreciate as it melds the classic pendant styles with a modern faired shade.

- **SPECIFICATIONS:**
 - **MATERIAL:**
 - Metal
 - **Dimensions:**
 - **WxD:** 17.7" × 10.7"
 - **Cable:** 98.4"
 - **Canopy:** 5.0"
- **ELECTRICAL:**
 - **Input Voltage:**
 - PoE
 - 110-277V
 - **Wattage (W):** 10W
 - **Light Source:** E26
10 W Lamp
 - **Nominal Lumen (L):**
120 L/W
 - **IP Rating:** IP 20
 - **Controls:** 0-10V
dimming with Poe
Driver.
- **MOUNTING:**
 - Ceiling Mounted
- **LABLES:**
 - ETL conforms to UL
STD 1598; Certified
to CAN/CSA STD
C22.2 No. 250.0 for
damp locations.
 - LED light assembly
conforms to UL 2108
for remote
installation.
 - RoHS compliant
- **WARRANTY:**
 - 3-Year Limited
Warranty



JUPE PENDANT

Dimensions:



ORDERING INFORMATION

Ordering Example: LI-JPDL-1421-30-1-DP-SG

Model	Watts	Nominal Lumen	CRI	Color Temp	Voltage	Dimmable	Finish
LI-JPDL-1422	10W	1050lm	>85	30-3000K 35- 3500K 40- 4000K	1-PoE-N 2-110-277V	N-None PD-PoE Dim.	SG-Silk grey DG-Dark grey HY-Honey yellow