



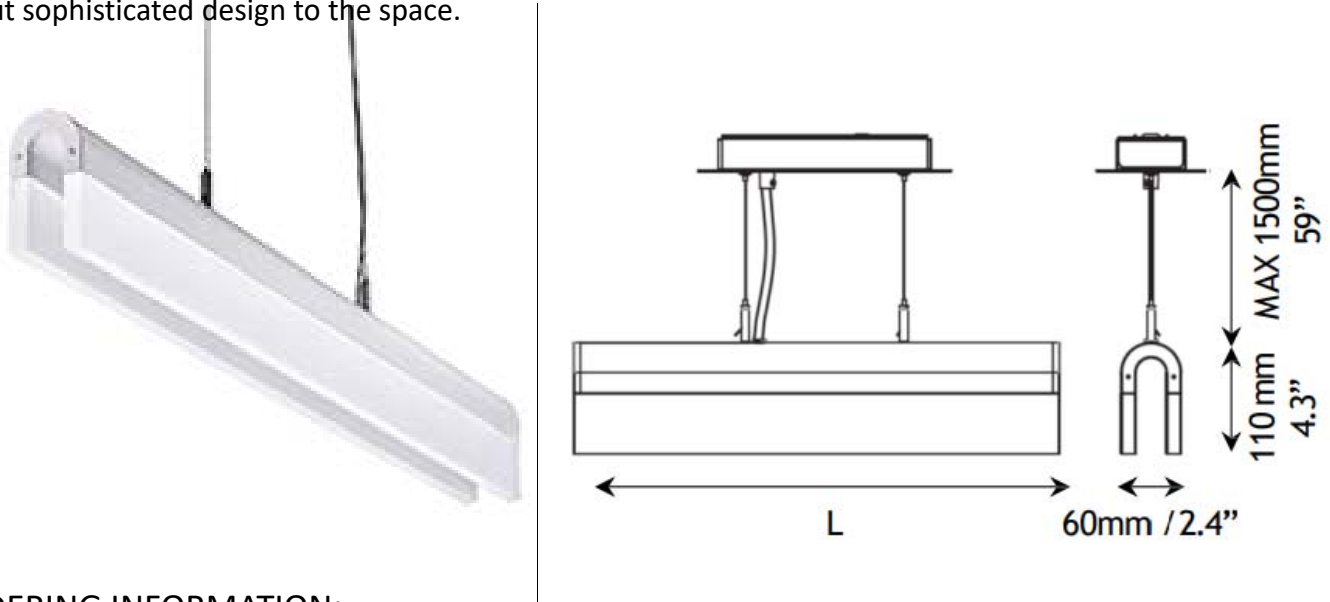
POWERED BY LED INDUSTRIES

PROJECT:
TYPE:

U-Yanan Linear Pendant

Description:

The U-Yanan Linear Pendant is a simple and clean design. Crafted from premium aluminum and thick acrylic, this contemporary styled linear pendent is ideal for a transitional and modern space. This light is shaped like a tunnel and diffuses light much in the same way. It causes a really nice affect for the space. Ideal to be used in modern to transitional places, the U-Yanan linear pendent will bring a simple but sophisticated design to the space.



ORDERING INFORMATION:

Ordering Example: LI-072-900-22W-30-1-PD-WH

Model	Watts	Nominal Lumens	CRI	Color Temp.	Voltage	Dimmable	Finish
LI-072-900-22W	22W	1760		30-3000K	1-PoE N		
LI-072-1200-29W	29W	2320	>80	40-4000K	2-100-277V	PD-PoE Dim.	WH –White
LI-072-1500-36W	36W	2880		50-5000K			

Specifications:

- **Type:** Linear Pendant
- **Materials:** Premium Aluminum & Acrylic (0.6" Thick)
- **Dimensions: L X W X H**
 - **S:** 37" X 2.4" X 59"
 - **M:** 48" X 2.4" X 59"
 - **L:** 60" X 2.4" X 59"
- **Applications:** Hanging Mount

Electrical:

- **Input Voltage:** PoE Compatible
- **Wattage:**
 - **S:** 22W
 - **M:** 29W
 - **L:** 36W
- **IP Rating:** IP 20
- **Controls:** 0-10V dimming with PoE driver

Labels:

- ETL conforms to UL STD 1598; Certified to CAN/CSA STD C22.2 No. 250.0
- LED light assembly conforms to UL 2108 for remote installation.
- RoHS compliant