

PROJECT:

TYPE:

Surface Mount

Application

For downlighting. Suitable for installation in marine environments. Includes 2 cable outlets to facilitate chain mounting. Structure finish: Grey.

SPECIFICATIONS:

Material:

- Aluminum Alloy
- Plastic

Dimensions:

- W 4.6" x L 48.6" x H 3.34"

ELECTRICAL:

Input Voltage:

- PoE
- 277V

Wattage (W): 43W

Lumens (L)/Watt (W): 100 l/W

Light Source: LED

IP: IP65

Controls: 0-10V dimming with Poe Driver.

FEATURES:

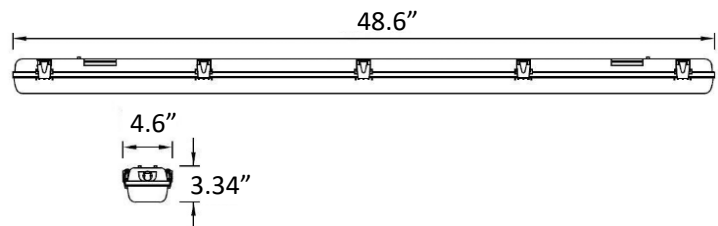
- Includes 2 cable outlets to facilitate chain mounting
- Suitable for installation in marine environments
- Available in in 4000K, Color temperature

LABELS:

- ETL conforms to UL STD 1598; Certified to CAN/CSA STD C22.2
- LED light assembly conforms to UL 2108 for remote installation.
- RoHS compliant

WARRANTY:

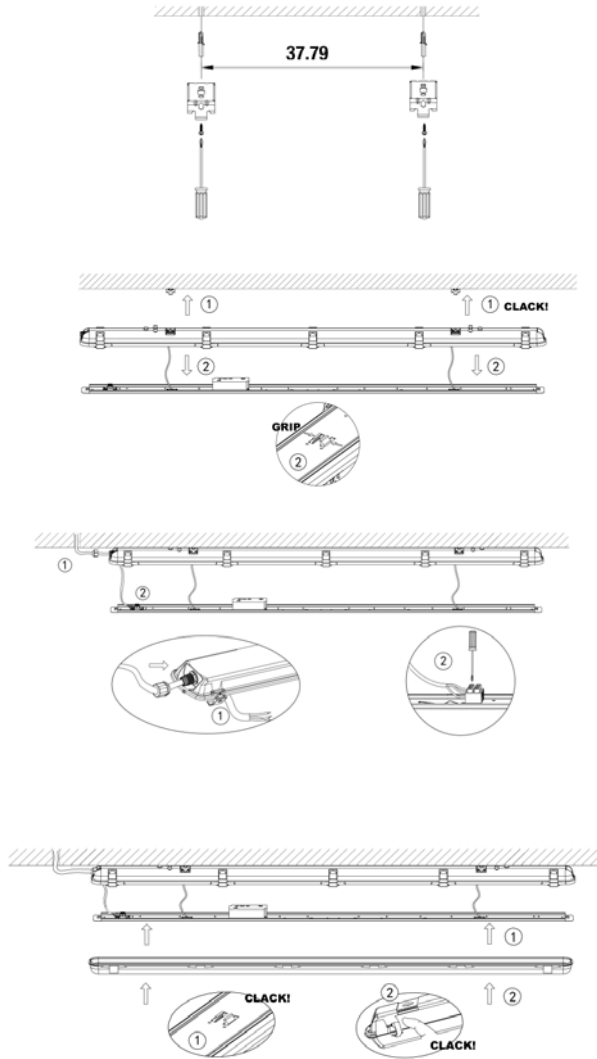
- 5-Year Limited Warranty



PROJECT:
TYPE:

Surface Mount

Installation :



Model	Watts	Nominal Lumens	CRI	Color Temp	Voltage	Dimmable	Finishes
-------	-------	----------------	-----	------------	---------	----------	----------

LI-GF4340	43W	4000lm	>80	40 - 4000K	1-PoE Node 2-100-120V	PD-PoE Dimmable	Grey
-----------	-----	--------	-----	------------	--------------------------	-----------------	------