



AMBERT Wall Pack Series

SPECIFICATIONS:

- **HOUSING:**
 - Die-Cast Aluminum.
- **SHEILDING:**
 - Soft Acrylic.
- **ELECTRICAL:**
 - **Input Voltage:**
 - PoE
 - 120V
 - **Wattage (W):**
 - 30W
 - 50W
 - 80W
 - **Color Temp:**
 - 3000K, 4000K, 5000K
 - **Rated Life:** >50,000 hours
- **BUG Rating:**
 - B1-U0-G0
- **MOUNTING:**
 - Wall Mounting
- **LABLES:**
 - ETL conforms to UL STD 1598; Certified to CAN/CSA STD C22.2 No. 250.0 for damp locations.
 - LED light assembly conforms to UL 2108 for remote installation.
 - RoHS compliant
- **IP Rating:** IP 65
 - Suitable for multiple location under covered ceiling.
- **WARRANTY:**
 - 5-Year Limited Warranty



DESCRIPTION:

The Ambert is a specification grade architectural LED wall pack series. Ideal for use on all outdoor building areas, it can be used as a replacement for up to 250W HPS/MH. Having a long life and low energy consumption by utilizing high efficiency LEDs, Ambert is an exceptional fixture, for an exterior wall or entrance illumination. Low cost and easy to install, the Ambert Wall Pack Series is a great fixture for a great value.

Die-cast aluminum housing with a powder coated color. No mercury and cool to the touch. High conductive, waterproof, aging resistance, salt mist resistance. Is safe and has a long lifetime. Tempered borosilicate, UV & fire resistant high output glass lens with seamless, silicone gasket to prevent leaks.



POWERED BY LED INDUSTRIES

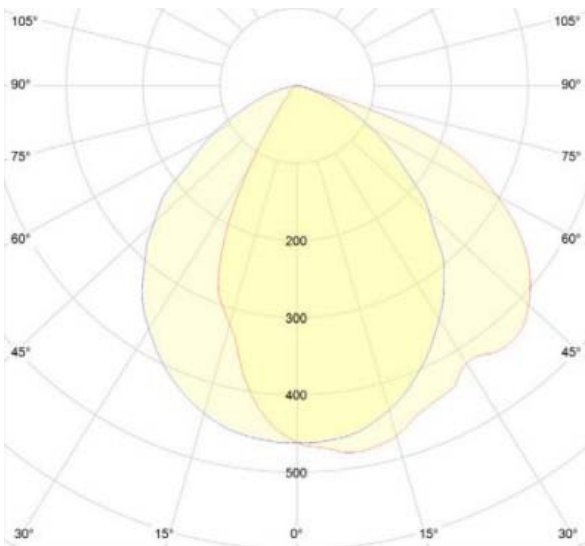
ORDERING EXAMPLE:

LI-WMK-30W-40-1-PD-BZ

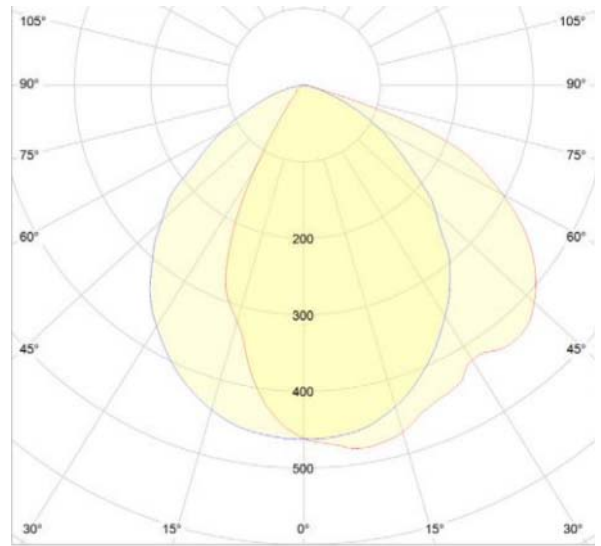
Model	Wattage	Nominal Lumen	CRI	CCT	Voltage	Optic	Options	Finish
LI-WMK	30W 50W 80W	3290 5280 9240	≥80	30-3000K 40-4000K 50-5000K	1-PoE-N 2-100-277V	A=80X100	PD-PoE Dim. OCS-Occupancy Sensor PC-Photocell	BZ-Bronze

Photometrics:

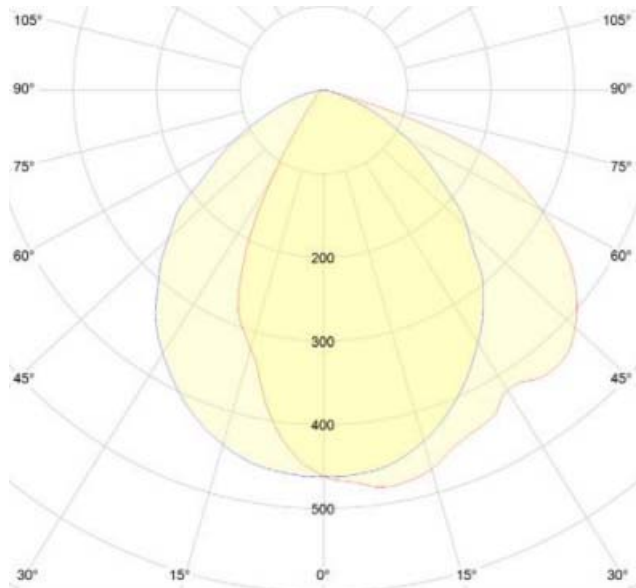
30W



50W

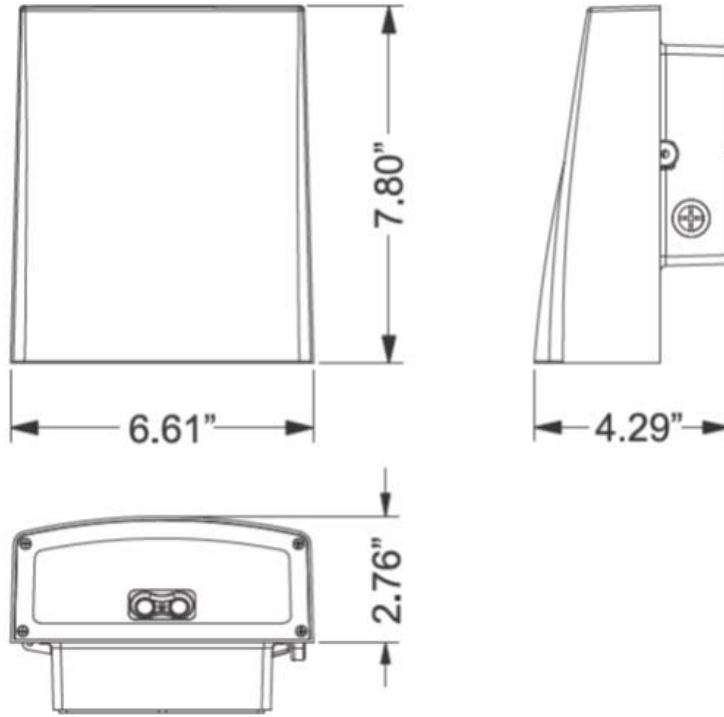


80W

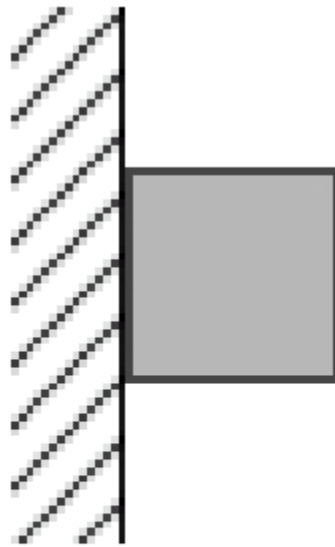




Dimensions:



Mounting:



Wall fitting