

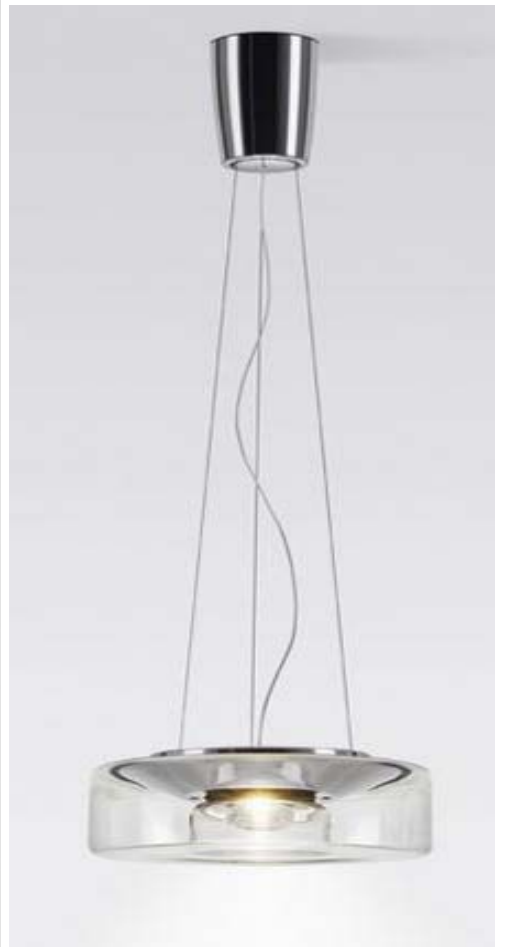


POWERED BY LED INDUSTRIES

PROJECT:

TYPE:

Beignet Verre Pendant



Beignet Verre PENDANT

Description:

The Beignet Verre Pendant is crafted from chrome finished metal body and a clear outer glass and finished inner glass. The inner glass comes in a variety of shapes and finishes. Customizable options allow for the lighting designer to mix and match to different color schemes. Perfect for contemporary and transitional settings, the Beignet Verre Pendant is a unique and eye-catching piece.

- **SPECIFICATIONS:**
 - **Material:**
 - Metal & Glass
 - **Dimensions: Dia. X H**
 - 9.8" X 3.5"
- **ELECTRICAL:**
 - **Input Voltage:**
 - PoE
 - **Wattage (W):** 25W
 - **LED Lumens/Watt:** 100 LM/W
 - **Light Source:**
 - Integrated LED
 - **IP Rating:** IP 20
 - **Controls:** Dimming with PoE Driver.
- **LABLES:**
 - ETL conforms to UL STD 1598; Certified to CAN/CSA STD C22.2 No. 250.0.
 - LED light assembly conforms to UL 2108 for remote installation.
 - RoHS compliant
- **WARRANTY:**
 - 5-Year Limited Warranty



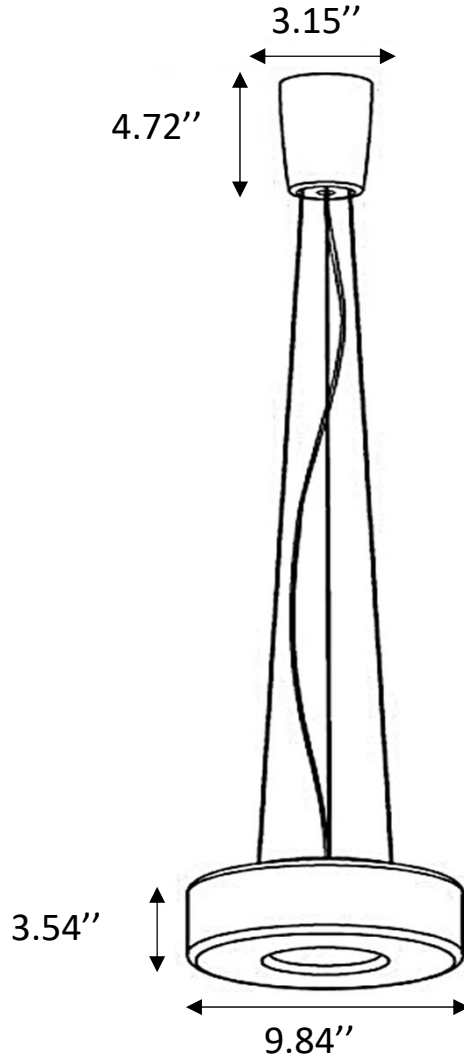


POWERED BY LED INDUSTRIES

Beignet Verre PENDANT

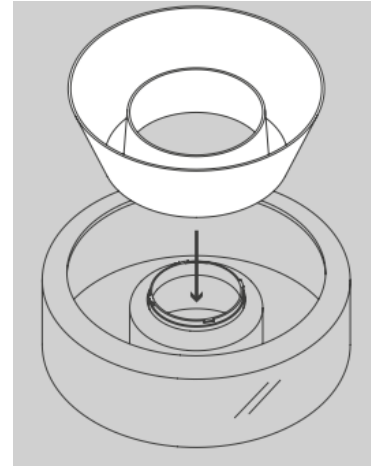
Nominal Dimensions:

Total Fixture Length:
20''-78'' with metal airplane wires

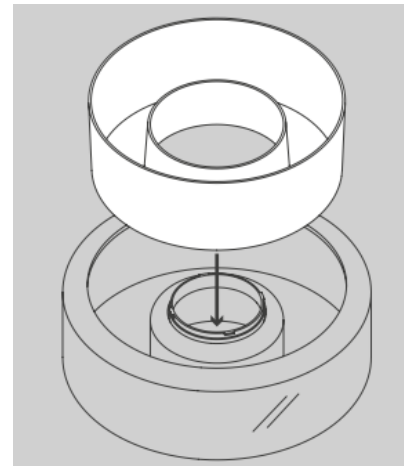


Inner Glass Options:

Cone Option:



Cylinder Option:



ORDERING INFORMATION

Ordering Example: LI-BVP104-30-1-PD-CY-SL-CH

Model	Watts	Nominal Lumen	CRI	Color Temp	Voltage	Dimmable	Inner Glass Type	Outer Glass Finish	Metal Finish
LI-BVP104	25W	1600	>90	27 - 2700K 30 - 3000K 35 - 3500K	1-PoE-N	PD-PoE Dim.	CN-Cone CY-Cylinder	CL-Clear SL-Silver FR-Frosted	CH-Chrome

LED Industries reserves the right to change specs or exchange fixtures without further notice