



POWERED BY LED INDUSTRIES

Globe Pendant

PROJECT:

TYPE:



Globe Pendant

Description:

This Globe Pendant offers two individually rotating shades surrounded by a metal ring. The pendant light transforms in shape to offer varying lighting possibilities in an artistic and original way. The finish can come in a variety of colors. The applications for this pendant are endless and unique to each person's design.

SPECIFICATIONS:

Material:

- Iron

Dimensions: Dia. X H

- 14.96" X 18.50"

ELECTRICAL:

Input Voltage:

- PoE

Wattage (W):

- Min.: 5W
- Max.: 10W

LED Lumen/Watt:

100 LM/W

Light Source: 1 X

E26 Lamp

Lamps not Included

IP Rating: IP 20

Controls: Dimming with PoE Driver.

LABELS:

- ETL conforms to UL STD 1598; Certified to CAN/CSA STD C22.2 No. 250.0

- LED light assembly conforms to UL 2108 for remote installation.

- RoHS compliant

WARRANTY:

- 5-Year Limited Warranty

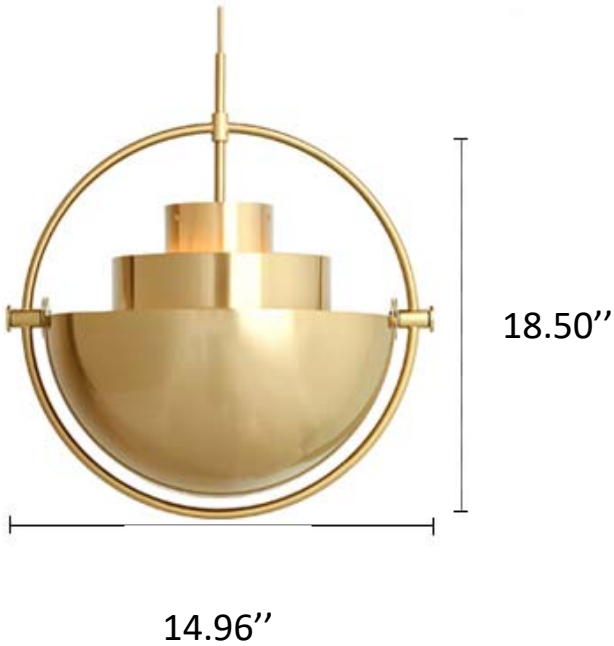




POWERED BY LED INDUSTRIES

Globe Pendant

Nominal Dimensions:



ORDERING INFORMATION

Ordering Example: LI-GL-04SP-10-27-1-PD-GL

Model	Watts (Lamp)	Nominal Lumen (Lamp)	CRI (Lamp)	Color Temp (Lamp)	Voltage	Dimmable	Finish
LI-GL-04SP	5W 10W	400 800	80	27-2700K	1-PoE-N	PD-PoE Dim.	BL-Black
				30-3000K			WH-White
				35-3500K			GL-Gold
							CH-Chrome
							BU-Blue

LED Industries reserves the right to change specs or exchange fixtures without further notice