

PROJECT:

TYPE:

Messina Pendant



Messina Pendant

Description:

A Messina Pendant revives the classic chandelier look through an exercise of simplification that explores its essence and enhances its outline with great delicacy and at the same time a strong formal presence. Its appearance, as a structure of fine cables finished with 20 heads, this pendant discretely connects with classic chandelier models, taking this type of lamp to a new, groundbreaking and futuristic dimensions.

- **SPECIFICATIONS:**
 - **Material:**
 - Aluminum, Steel, & Pressed Glass
 - **Dimensions: Dia. X H:**
 - 59" X 120"
- **ELECTRICAL:**
 - **Input Voltage:**
 - PoE
 - **Wattage (W):**
 - **Min:** 60W (3W G9)
 - **Max:** 84W (4.2W G9)
 - **LED Lumen/Watt:** 100 LM/W
 - **Light Source:** 20 X G9 Lamps
 - **Lamps not Included**
 - **IP Rating:** IP 20
 - **Controls:** Dimming with PoE Driver.
- **LABELS:**
 - ETL conforms to UL STD 1598; Certified to CAN/CSA STD C22.2 No. 250.0
 - LED light assembly conforms to UL 2108 for remote installation.
 - RoHS compliant
- **WARRANTY:**
 - 5-Year Limited Warranty

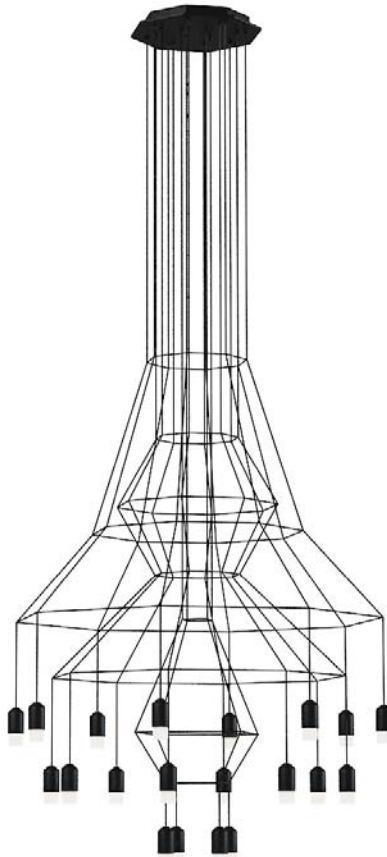
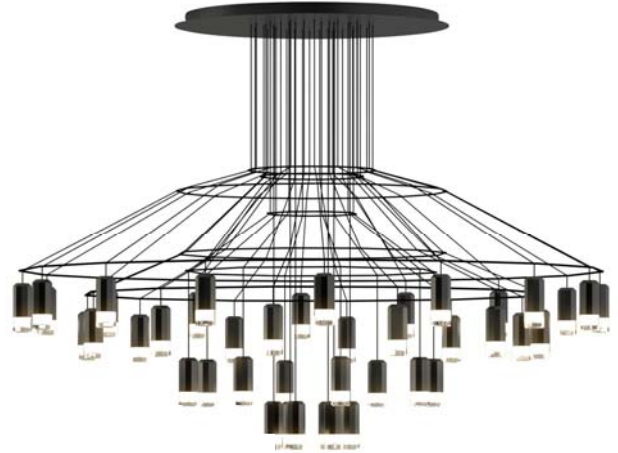
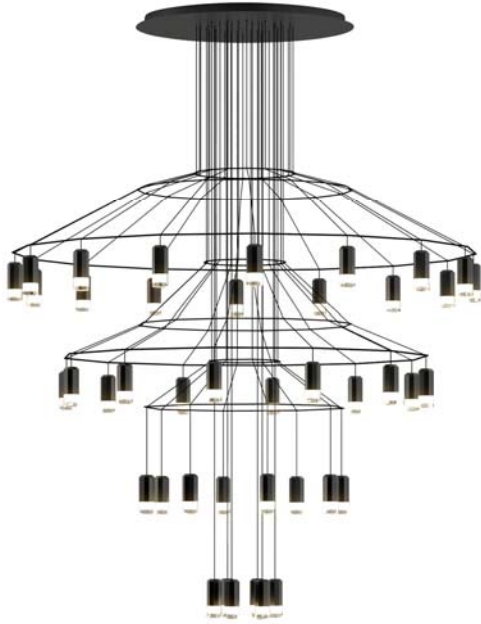




POWERED BY LED INDUSTRIES

Messina Pendant

Design Options:

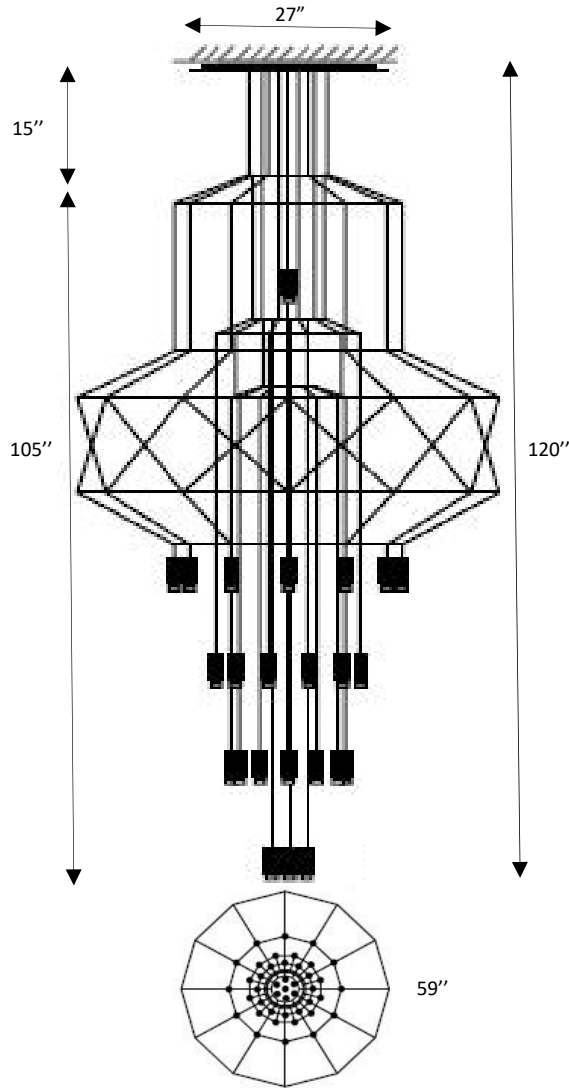




POWERED BY LED INDUSTRIES

Messina Pendant

Nominal Dimensions:



ORDERING INFORMATION

Ordering Example: LI-DZ-MJ1055/20-3-30-1-PD-BL

Model	Watts (Lamp)	Nominal Lumen (Lamp)	CRI (Lamp)	Color Temp (Lamp)	Voltage	Dimmable	Finish
LI-DZ-MJ1055/20	3-60W	4800	80	27-2700K	1-PoE-N	PD-PoE Dim.	BL-Black
	4-84W	6720		30-3000K			
				35-3500K			

LED Industries reserves the right to change specs or exchange fixtures without further notice