



POWERED BY LED INDUSTRIES

PROJECT:

TYPE:

Tazza Capovolta Pendant





POWERED BY LED INDUSTRIES

Tazza Capovolta Pendant

Description:

The Tazza Capovolta Pendant derives its name from the Italian word for upside-down cup. The inner cone is made from opal acrylic and resembles a glass that is turned upside-down. The outer transparent shade is made from glass and the metal body is finished in chrome. The simplicity of this pendant is where its beauty lies. It is perfect for modern and contemporary settings.

- **SPECIFICATIONS:**
 - **Material:**
 - Metal, Glass, & Acrylic
 - **Dimensions: Dia. X H**
 - **Small:** 10" X 8"
 - **Large:** 13" x 10"
- **ELECTRICAL:**
 - **Input Voltage:**
 - PoE
 - **Wattage (W):**
 - **Min:** 5W
 - **Max:** 10W
 - **LED Lumens/Watt:** 100 LM/W
 - **Light Source:** 1 X E26 Lamp
 - **IP Rating:** IP 20
 - **Controls:** Dimming with PoE Driver.
- **LABLES:**
 - ETL conforms to UL STD 1598; Certified to CAN/CSA STD C22.2 No. 250.0.
 - LED light assembly conforms to UL 2108 for remote installation.
 - RoHS compliant
- **WARRANTY:**
 - 5-Year Limited Warranty

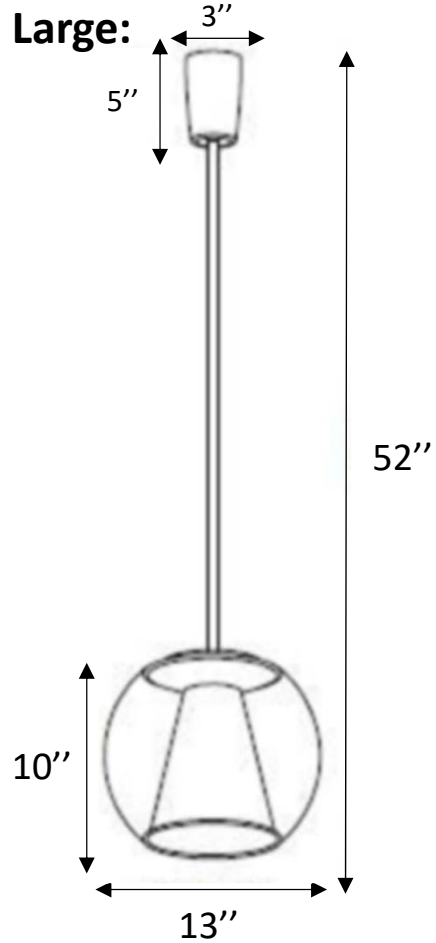
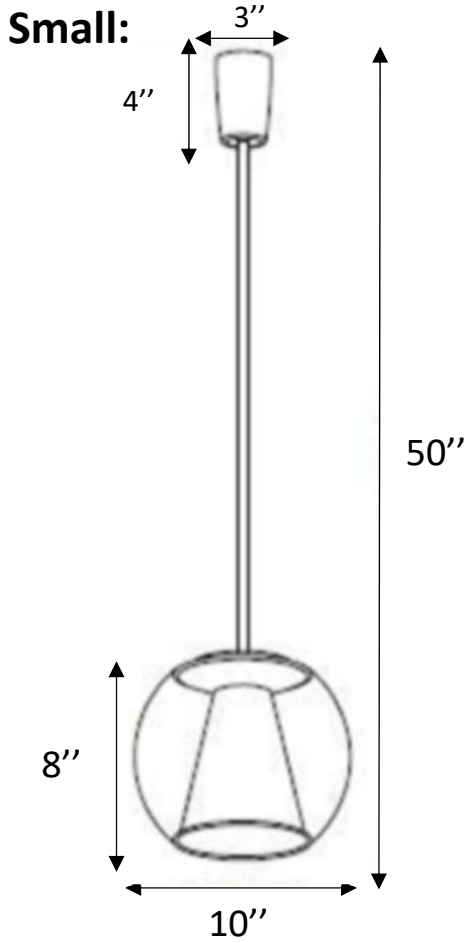




POWERED BY LED INDUSTRIES

Tazza Capovolta Pendant

Nominal Dimensions:



ORDERING INFORMATION

Ordering Example:

Model	Size	Watts	Nominal Lumen	CRI	Color Temp	Voltage	Dimmable	Glass Color
LI-TCP02	S-Small	5W	400	>80	27 - 2700K	1-PoE-N	PD-PoE Dim.	CL-Clear
	L-Large	10W	800		30 - 3000K			BL-Blue
					35 - 3500K			BR-Brown

LED Industries reserves the right to change specs or exchange fixtures without further notice