

Eon Cohete Pendant

Description:

The Light Eon Cohete Pendant P3 is with 23inch in diameter the larger of two pendant lamps in this collection. He values for to the design of this lamp highly to well-balanced proportions. The light is made of an aluminum upper shell and a translucent sub shade made of polypropylene. This sub screen was from 8 rooflights intertwined with numerous openings through which the light is emitted smoothly and glarefree down. Lightyears offers the Eon Cohete P3 with grey or black top shell.

▪ SPECIFICATIONS:

▪ Material:

- Polycarbonate, Metal

▪ Dimensions:

- W 23" x H 13"

▪ ELECTRICAL:

▪ Input Voltage:

- PoE
- 100-277V

▪ Wattage (W): 40W (Maximum)

▪ LED Lumens/Watt: 100 LM/W

▪ Light Source:

- E27

▪ Controls: 0-10V dimming with Poe Driver.

▪ LABELS:

- ETL conforms to UL STD 1598; Certified to CAN/CSA STD

- LED light assembly conforms to UL 2108 for remote installation.

- RoHS compliant

▪ WARRANTY:

- 5-Year Limited Warranty

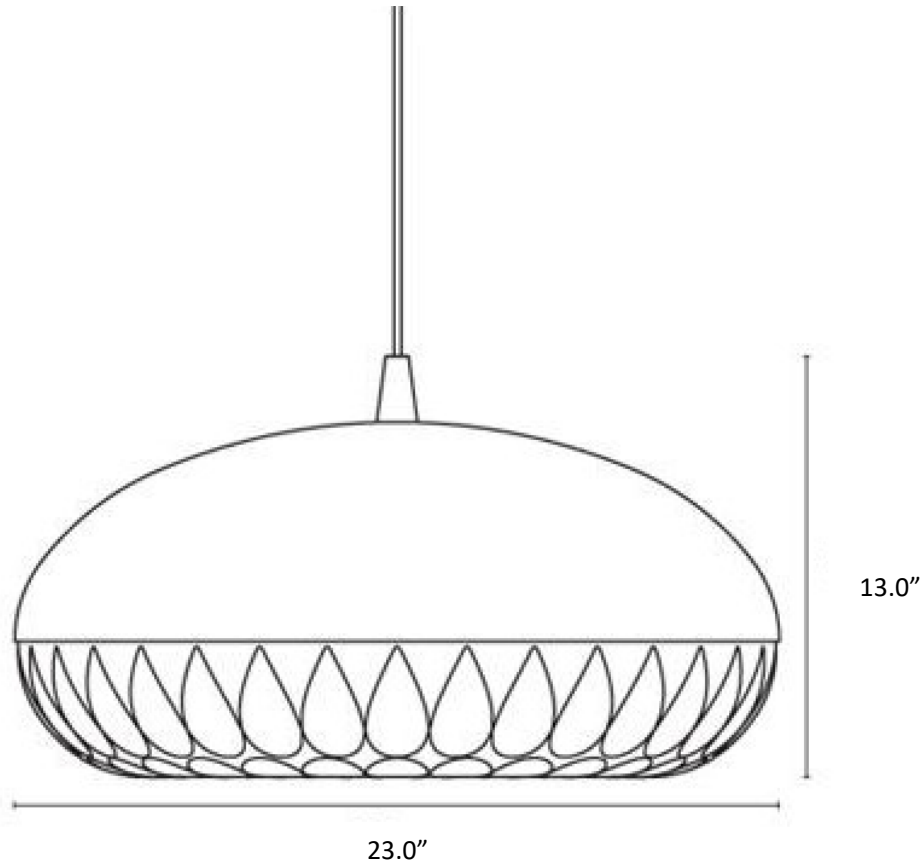




POWERED BY LED INDUSTRIES

Eon Cohete Pendant

Dimensions:



ORDERING INFORMATION

Ordering Example: LI-ECP-12

Model	Watts	Nominal Lumen	CRI	Color Temp	Voltage	Dimmable	Finish
LI-ECP-12	40W	4000lm	>90	27 - 2700K 30 - 3000K 35 - 3500K	1-PoE-N 2-100-277V	PD-PoE Dim. N-None	Black Grey

LED Industries reserves the right to change specs or exchange fixtures without further notice

Page 2 of 2