

APOLLO PENDANT

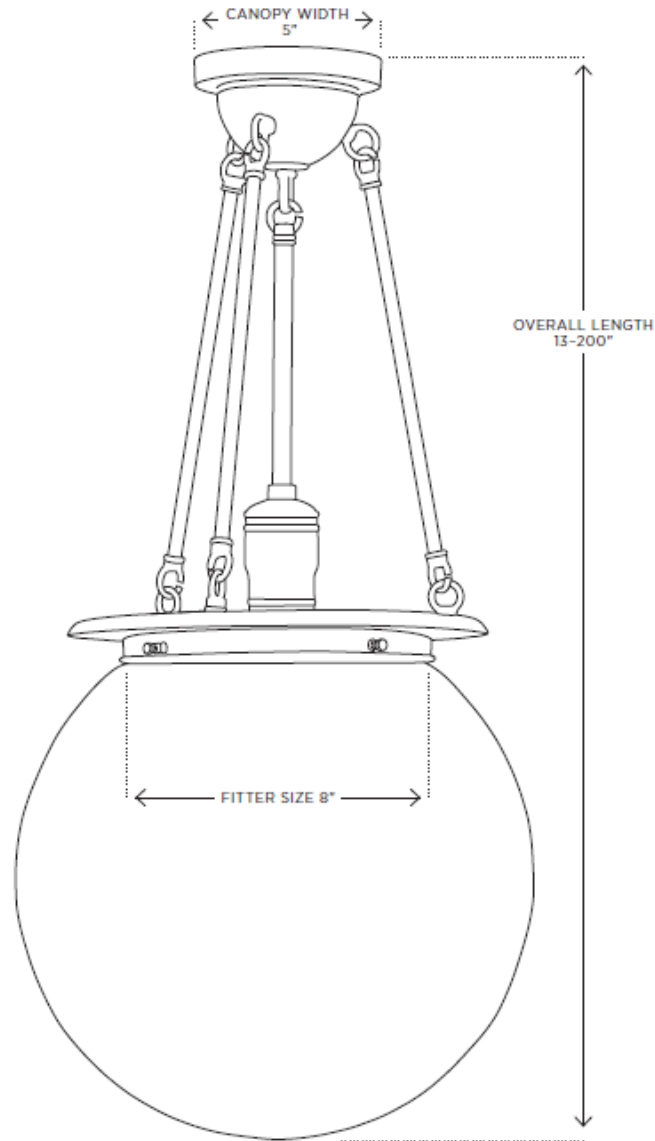
The Apollo pendant is a geometrically modern piece whose shape is reminiscent of the Apollo Space crafts. This light has a 14" glass shade which allows for a beautiful casting of light onto the surface below and generates a warm and inviting feel. The length is adjustable upon the customization of the fixture.

- **SPECIFICATIONS:**
 - **MATERIAL:**
 - Aluminum, Steel, & Glass.
 - Glass Options:
 - Frosted
 - Clear
 - Wire Mesh
 - **Fixture Dimensions:**
 - **Length:** 13"-200"
 - **Dia.:** 14"
 - **Canopy:** 5"
- **ELECTRICAL:**
 - **Input Voltage:**
 - PoE
 - **Wattage (W):**
 - Min 5w
 - Max 10w
 - **Light Source:** 1 x E26 lamp
 - **Lamp not included**
 - **LED Lumen/Watt:** 100 L/W
 - **IP Rating:** IP 20
 - **Controls:** 100% dimming with PoE Driver.
- **MOUNTING:**
 - Ceiling Mounted
- **LABLES:**
 - ETL conforms to UL STD 1598; Certified to CAN/CSA STD C22.2 No. 250.0.
 - LED light assembly conforms to UL 2108 for remote installation.
 - RoHS compliant
- **WARRANTY:**
 - 5-Year Limited Warranty



APOLLO PENDANT

Dimensions:



ORDERING INFORMATION:

Ordering Example: LI-APDL-1419-30-1-PD-48"-BL-FR+WM

Model	Watts	Nominal Lumen	CRI	Color Temp	Voltage	Dimmable	Length	Finish	Glass
LI-APDL-1419	5W 10W	400 800	>85	30-3000K 35- 3500K 40- 4000K	1-PoE-N	PD-PoE Dim.	48" Custom	DB-Dark Bronze PN-Polished Nickle AG-Aged Brass GL-Gold BL-Black	FR-Frosted CL-Clear Custom-Wire Mesh

LED Industries reserves the right to change specs or interchange fixtures without further notice