

## Policromatico Vetri 14" PENDANT

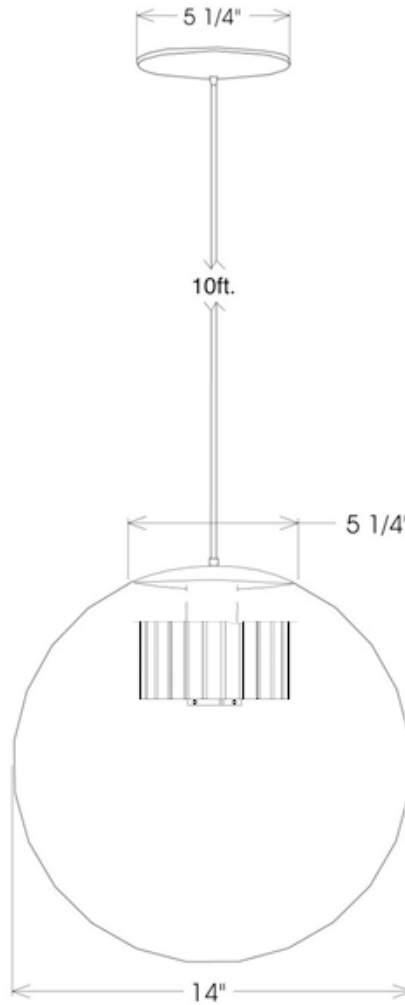
The Policromatico Vetri Pendant is an elegant and simply crafted fixture made from a powder-coated finished steel and a colored or clear glass diffuser. The simplistic nature of the fixture is perfect for mid-century transitional décor. With many different customizable options available this pendant is versatile in location, applications, and design.

- **SPECIFICATIONS:**
  - **Material:**
    - Steel & Glass
  - **Dimensions:**
    - **Canopy:** 5" Dia.
    - **Cord:** 120" L
    - **Top-Plate:** 5 ¼" Dia.
    - **Diffuser:** 14" Dia.
- **ELECTRICAL:**
  - **Input Voltage:**
    - PoE
  - **Wattage (W):** 40 W
  - **Light Source:** Integrated LED
  - **LED Lumen/Watt(L/W):** 100 L/W
  - **IP Rating:** IP 20
  - **Controls:** 100% dimming with PoE Driver.
- **MOUNTING:**
  - Hanging/Suspended Mounting
- **LABLES:**
  - ETL conforms to UL STD 1598; Certified to CAN/CSA STD C22.2 No. 250.0.
  - LED light assembly conforms to UL 2108 for remote installation.
  - RoHS compliant
- **WARRANTY:**
  - 5-Year Limited Warranty



# Policromatic Vetri 14" PENDANT

## Dimensions:



## ORDERING INFORMATION

### Ordering Example: LI-PVDL-1429-30-1-PD-BL-WH

Model	Watts	Nominal Lumen	CRI	Color Temp	Voltage	Dimmable	Hardware Finish	Diffuser Finish
LI-PVDL-1429	40W	3200	≥85	27-2700K 30- 3000K 35-3500K	1-PoE-N	PD-PoE Dim.	BL-Black WH-White PN-Polished Nickle UB-Unpolished Brass	CL-Clear WH-White SM-Smoked BZ-Bronze

LED Industries reserves the right to change specs or interchange fixtures without further notice