

Shape of 5 Shades Pendant

The Shape of 5 Shades Pendant is a trendy and unique take on decorative pendants. This pendant combines two metal shades with three glass shades to create a fun and expressive piece for the designer's space. More of a transitional style it takes modern and vintage styles to make a beautiful arrangement for task and decorative lighting.

- **SPECIFICATIONS:**
 - **Material:**
 - Glass, steel, brass, aluminum
 - **Metal Shade Finishes**
 - Brushed brass, brushed copper, blackened steel
 - **Arc Shade Color**
 - Gradient Blue
 - **Cylinder Shade Color**
 - Blue
 - **Globe Shade Color**
 - Opal
 - **Suspension**
 - Cord. Custom length
 - **Canopy**
 - 5-inch round in brushed brass
- **ELECTRICAL:**
 - **Input Voltage:**
 - PoE
 - 120V
 - **Wattage (W):** 12.5W
 - **Light Source:** 5 X G4 x 2.5W bulb
 - PoE Lamps not Included
 - **LED Lamp Lumen/Watt:** 100 L/W
 - **Controls:** 100% dimming with PoE Driver.
- **MOUNTING:**
 - Suspended
- **LABELS:**
 - ETL conforms to UL STD 1598; Certified to CAN/CSA STD C22.2 No. 250.0.
 - LED light assembly conforms to UL 2108 for remote installation.
 - RoHS compliant
- **WARRANTY:**
 - 5-Year Limited Warranty

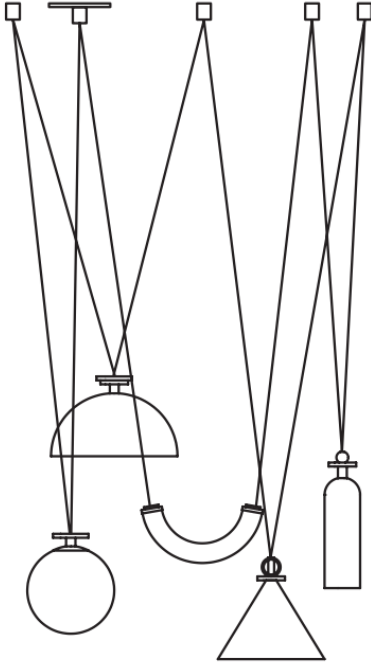




POWERED BY LED INDUSTRIES

Shape of 5 Shades Pendant

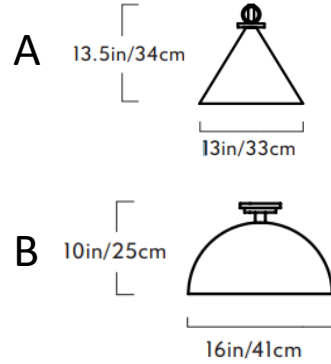
Dimensions:



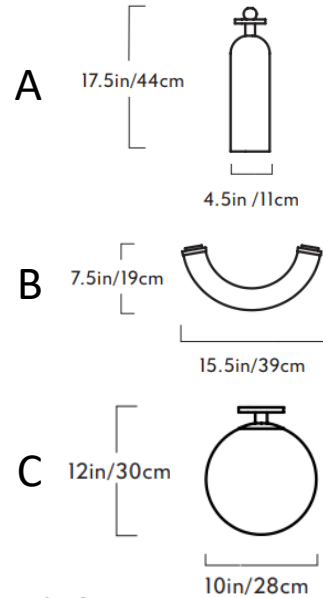
Overall dimensions

- Cone: L 13in x W 13in x H 13.5in Metal
- Hemisphere: L 16in x W 16in x H 10in Metal
- Arc: L 15.5in x W 3in x H 7.5in Glass
- Cylinder: L 4.5in x W 4.5in x H 17.5in Glass
- Globe: L 11in x W 11in x H 12in Glass

Metal Shades:



Glass Shades:



ORDERING INFORMATION

Ordering Example: **LI-5SP-5-30-1-PD-A+BC-B+BB-A+B-B+GB-C+OP**

Model	Watts (Lamps)	Nominal Lumen (Lamps)	CRI (Lamps)	Color Temp (Lamp)	Voltage	Dimmable	Metal Shade Options	Metal Finish	Glass Shade Options	Glass Finish
LI-5SP-1440	12.5W	1000	≥80	27-2700K	1-PoE-N 2-120V	PD-PoE Dim.	A B	Brushed Copper Brushed Brass Blackened Steel*	A B C	Blue
				30-3000K						Gradient Blue
				35-3500K						Opal
				40-4000K						

*Blackened Steel is used in the metal sections of each light.