

## Disk Pendant

### Description:

The Disk Pendant Collection is produced in clear glass, simply referred to as disk Pendant . The bright version is clear glass with an opaque sanded finish.

- **SPECIFICATIONS:**
  - **Material:**
    - Clear glass, Metal
  - **Mounting:**
    - polished copper, nickel, black powder coating
  - **Dimensions:**
    - dia. 21.65 inch, H 17.51"
  - **ELECTRICAL:**
  - **Input Voltage:**
    - PoE
    - 100-277V
  - **Wattage (W):** 6W (Maximum)
  - **LED Lumens/Watt:** 100 LM/W
  - **Light Source:**
    - E27
  - **Controls:** 0-10V dimming with Poe Driver.
- **LABLES:**
  - ETL conforms to UL STD 1598; Certified to CAN/CSA STD
  - LED light assembly conforms to UL 2108 for remote installation.
  - RoHS compliant
- **WARRANTY:**
  - 5-Year Limited Warranty

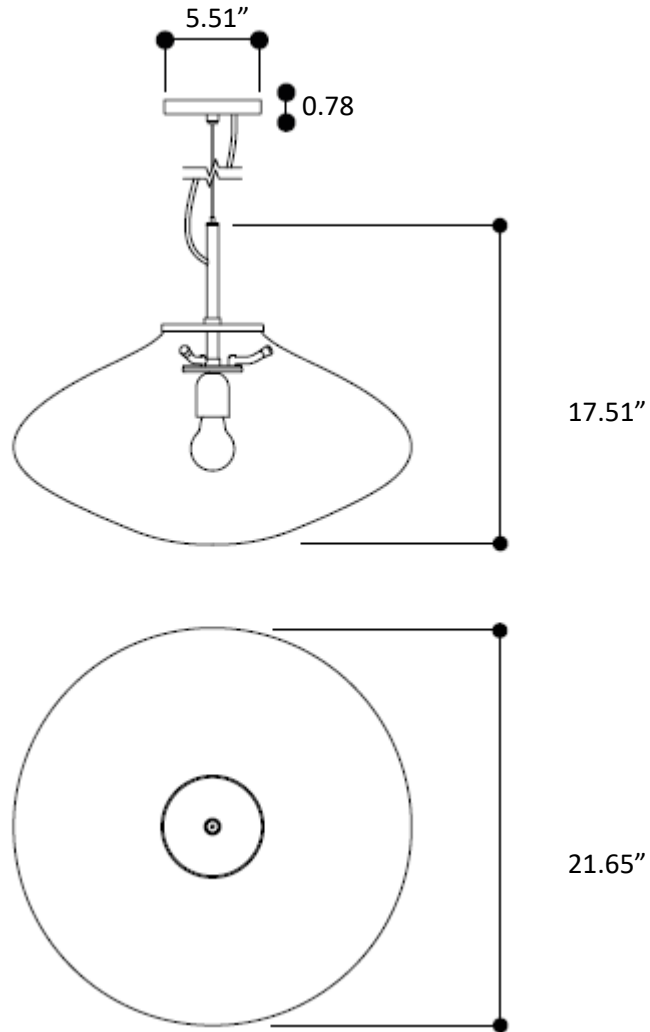




POWERED BY LED INDUSTRIES

# Disk Pendant

## Dimensions:



### ORDERING INFORMATION

**Ordering Example: LI-SCL-18**

Model	Watts	Nominal Lumen	CRI	Color Temp	Voltage	Dimmable	Finish
LI-DKP-18	6W	600lm	>90	27 - 2700K	1-PoE-N 2-100-277V	PD-PoE Dim. N-None	Clear glass

LED Industries reserves the right to change specs or exchange fixtures without further notice

Page 2 of 2