

INFINITI RING PENDENT

Description:

The Infiniti Ring Pendant Series provides generous ambient illumination from a minimal and elegant ring form. Nestled in a crisp 4" high opaque band, the distinctive, annular diffuser glows inwardly. The diffuser's softly rounded compound curve lends this piece a slender appearance. Available in 24", 36" and 48" diameters. The LED PCB delivers efficient, widespread, direct/indirect illumination (65/35) with spacing criteria of 1.6 and a range of light outputs.

■ SPECIFICATIONS:

■ Material:

- Steel Housing & PC Lens

■ Nominal Dimensions: D X W

- 24" x 4"
- 36" x 4"
- 48" x 4"

■ ELECTRICAL:

■ Input Voltage:

- PoE
- 100-277V

■ Wattage (W):

- 39W
- 57W
- 75W

■ LED Lumens/Watt: 100 LM/W

■ Light Source:

- Integrated LED

■ Controls: 0-10V dimming with Poe Driver.

■ LABELS:

- ETL conforms to UL STD 1598; Certified to CAN/CSA STD
- LED light assembly conforms to UL 2108 for remote installation.
- RoHS compliant

■ WARRANTY:

- 5-Year Limited Warranty

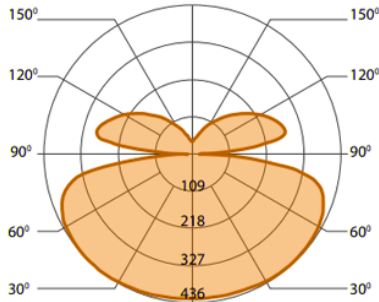




POWERED BY LED INDUSTRIES

INFINITI RING PENDENT

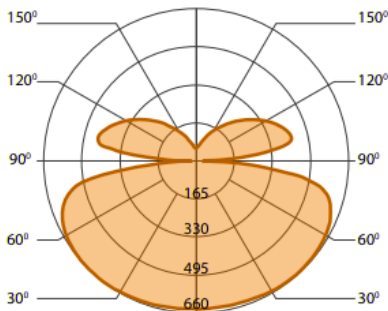
24" - 3500 LUMEN AT 90CRI



PERFORMANCE

LED output	Color Temp	Watts	Nominal Delivered Lumens	Efficacy LPW
medium output	2700K	40.5	3500	86
medium output	3000K	39.5	3500	89
medium output	3500K	38	3500	92
medium output	4000K	37	3500	94
medium output	5000K	35	3500	100
medium output	6500K	35.5	3500	99

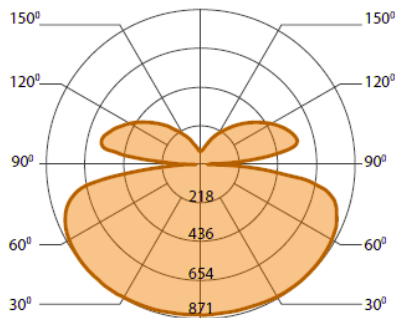
36" - 5300 LUMEN AT 90CRI



PERFORMANCE

LED output	Color Temp	Watts	Nominal Delivered Lumens	Efficacy LPW
medium output	2700K	61.5	5300	86
medium output	3000K	59.5	5300	89
medium output	3500K	57.5	5300	92
medium output	4000K	56.5	5300	94
medium output	5000K	53	5300	100
medium output	6500K	53.5	5300	99

48" - 7000 LUMEN AT 90CRI



PERFORMANCE

LED output	Color Temp	Watts	Nominal Delivered Lumens	Efficacy LPW
medium output	2700K	81.5	7000	86
medium output	3000K	78.5	7000	89
medium output	3500K	76	7000	92
medium output	4000K	74.5	7000	94
medium output	5000K	70	7000	100
medium output	6500K	70.5	7000	99

ORDERING INFORMATION

Ordering Example: LI-IRP-48-90-TW-1-PD-1-WH-WH

Model	Nominal Size	Average Wattage	Nominal Lumens	CRI	CCT	Voltage	Dimmable	Cable Options	Canopy Finish	Finish
LI-IRP	24 - 24"	39W	3500lm	80 - >80	27 - 2700K	1 - PoE Node	PD - PoE Dim.	1 - Integrated Suspension Power Over Cable	WH-White	WH-White
	36 - 36"	57W	5300lm	90 - >90	30 - 3000K	2 - 120V - 277V	D1 - 1% Dim. 0-10V		SL- Silver	SL- Silver
	48 - 48"	75W	7000lm		35 - 3500K			2 - Black power cord + Aircraft Cable	BL- Black	BL- Black
					40 - 4000K			3 - White power cord + Aircraft Cable	CU- Custom	CU- Custom
					TW - 27K - 65K			4 - Cables length in inches (Min. 48")		

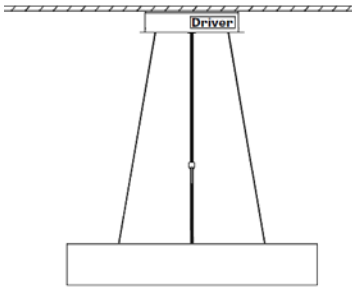


POWERED BY LED INDUSTRIES

INFINITI RING PENDENT

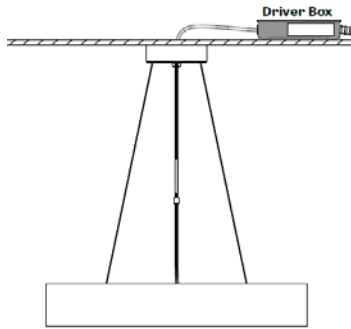
MOUNTING OPTIONS:

All mounting options below are available with either conventional aircraft cables and jacketed Class II power cord (CPC), or elegant integral power over suspension cables (POC).



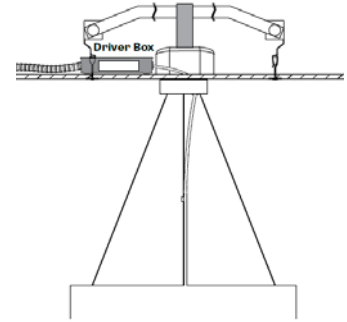
ROUND CANOPY DRIVER BOX

Round Canopy Driver Box Driver is furnished in a 6" or 9" diameter, 2" deep enclosure that also supports suspension and power cables. Enclosure is available in standard finishes (see ordering code).



REMOTE DRIVER BOX IN DRYWALL

Drywall Remote Driver is in a 20"x4"x2" enclosure with brackets for mounting to ceiling joists or other supporting members. The 5 1/2" diameter x 1 5/8" diameter x 1 5/8" deep wiring compartment canopy conceals and supports suspension and power cables. It is available in standard finishes (see ordering code).



REMOTE DRIVER BOX IN GRID

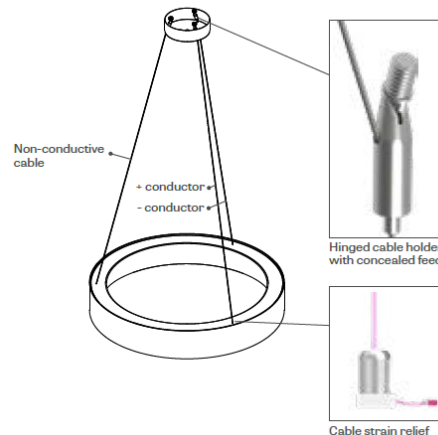
Ceiling Remote Driver for grid ceiling Driver is in a 20"x4"x2" enclosure with brackets for mounting to ceiling runners. The 5 1/2" diameter x 1 5/8" deep wiring compartment conceals and supports for suspension and power cables.

INTEGRATED SUSPENSION AND POWER OVER CABLE (POC)

The integrated suspension and power over cable option provides an elegant mounting option without the familiar jacketed power cord. Current from the driver to the LED arrays flows through seven-strand galvanized copper conductors. A dielectric polymer coating insulates the cable, which is supported by insulated holders at the ceiling and luminaire mounting plate. Our standard integrated power-over-cable supports all dimming and control protocols available through the driver options without additional conductors.



Seven-strand galvanized copper conductors.
Cable diameter -0.06" (1.55mm)



LED Industries reserves the right to change specs or exchange fixtures without further notice