

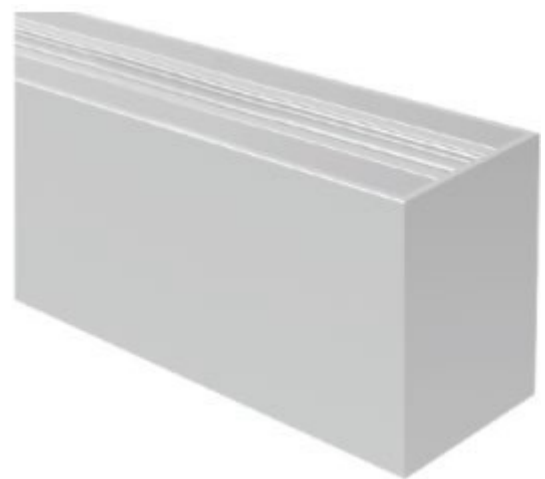
PROJECT:
TYPE:

Liscio 2.1

Continuous Clean Lines and Clean Light

Trimless Version

Architectural Linear LED Fixture



LI-L5580UD



POWERED BY LED INDUSTRIES

PROJECT:
TYPE:

LINEAR LED DIRECT/INDIRECT LISCIO 2.1

Continuous Clean Lines and Clean Light
Trimless Version



Product Description:

The linear light Liscio series was designed to achieve different shape designs with easy and quick connection. Those products have re-defined user experience of linear light through modularity design and quick assembly & installation.

It breaks the idea which restricted traditional lighting fixtures and created complicated wiring of old version linear light fixtures. It has achieved "three quicks": quick assembly, quick connection (eliminates complicated wiring) and quick corner connection.

ORDERING INFORMATION

Model	Mounting	Type	Wattage (Length)	Input & Dim.	Color Temp	Cover	Light Distribution	Profile Finish
LI-L5580UD	P-Pendant	D - Direct	36W - 4'	1-PoE-Dim.	27K-2700K	PDM - Standard	1- 25% Up/75% Down	BL- Black
	W-Wall	ID - Indirect	54W - 6'		30K-3000K	Diffuser (96°)	2- 40% Up/60% Down	WH- White
			80W - 8'		35K-3500K	UGR<19 - (81°)	3-100% Down	SL- Sliver
			CU - Custom*		40K-4000K	TW-Tunable White (27K-60K)		





POWERED BY LED INDUSTRIES

LINEAR LED DIRECT/INDIRECT LISCIO 2.1

Continuous Clean Lines and Clean Light

Trimless Version

Product Description:

The Liscio linear light quick connection series is based on concise style and user experience improvement. Various concise yet fashionable designs can be accomplished quickly through the creative ideas of space lighting designs and free design styles while emphasizing “QUICK” installation. Liscio permits the designer to create much better lighting effects than traditional lighting fixtures by revealing the beauty of linear light.

Fixture Features:

- Low glare version available upon request UGR<19 rated.
- End caps assembled by mechanical screws and magnet structure.
- Lighting CCT/color and CRI could be customized.
- Conform to ETL standard.
- Easy assembly/disassembly, customers do not need to do complicated wiring, use male/female connectors to connect electric power and to do free connection to get comfortable user experience.

PoE Features:

Our intelligent LED PoE Lighting Solutions accelerates digital transformation of facilities in the Internet of Things (IoT) while providing an excellent option to the lighting designer or building management companies that are seeking aesthetic pleasure with digital building solution through the facilities with options of covering multiple building networks beyond the considerations of cost and efficiency.

ORDERING INFORMATION: LI-L5580UD-36W

Product	LI-L5580UD-4
Cover	Plain diffuser
Length	(4ft)
Installation	Pendant/Wall Mounted
Profile Color	Silver/White/Black
CCT (K)	2700K, 3000K, 3500K, 4000K, TW 27K-60K
Nominal Lumen (lm)	4151lm
Distribution / Lumens	25% UP 9W / 1038lm / 40% UP 14.4W / 1660lm
Distribution / Lumens	75% DN 27W / 3130lm / 60% DN 21.60W / 2491lm
Beam Angle (°)	95° (Plain diffuser)
CRI (Ra)	≥80 ≥90Optional
Watts	36W
Power Factor	>0.9
Watt (w)	9W Per feet
Using Ambient Temp	Tamin=-20°C, Tamax=45°C
Protection	IP 40



POWERED BY LED INDUSTRIES

LINEAR LED DIRECT/INDIRECT LISCIO 2.1

Continuous Clean Lines and Clean Light

Trimless Version

Product Description:

The Liscio linear light quick connection series is based on concise style and user experience improvement. Various concise yet fashionable designs can be accomplished quickly through the creative ideas of space lighting designs and free design styles while emphasizing "QUICK" installation. Liscio permits the designer to create much better lighting effects than traditional lighting fixtures by revealing the beauty of linear light.

Fixture Features:

- Low glare version available upon request UGR<19 rated.
- End caps assembled by mechanical screws and magnet structure.
- Lighting CCT/color and CRI could be customized.
- Conform to ETL standard.
- Easy assembly/disassembly, customers do not need to do complicated wiring, use male/female connectors to connect electric power and to do free connection to get comfortable user experience.

PoE Features:

Our intelligent LED PoE Lighting Solutions accelerates digital transformation of facilities in the Internet of Things (IoT) while providing an excellent option to the lighting designer or building management companies that are seeking aesthetic pleasure with digital building solution through the facilities with options of covering multiple building networks beyond the considerations of cost and efficiency.

ORDERING INFORMATION: LI-L5580UD-54W

Product	LI-L5580UD-6
Cover	Plain diffuser
Length	(6ft)
Installation	Pendant/Wall Mounted
Profile Color	Silver/White/Black
CCT (K)	2700K, 3000K, 3500K, 4000K, TW 27K-60K
Nominal Lumen (lm)	6750lm
Distribution / Lumens	25% UP 14W / 1680lm / 40% UP 21.60W / 2700lm
Distribution / Lumens	75% DN 40W / 5060lm / 60% DN 32.40W / 4050lm
Beam Angle (°)	95° (Plain diffuser)
CRI (Ra)	≥80 ≥90Optional
Watts	54W
Power Factor	> 0.9
Watt (w)	9W Per feet
Using Ambient Temp	Tamin=-20°C, Tamax=45°C
Protection	IP 40



POWERED BY LED INDUSTRIES

LINEAR LED DIRECT/INDIRECT LISCIO 2.1

Continuous Clean Lines and Clean Light

Trimless Version

Product Description:

The Liscio linear light quick connection series is based on concise style and user experience improvement. Various concise yet fashionable designs can be accomplished quickly through the creative ideas of space lighting designs and free design styles while emphasizing “QUICK” installation. Liscio permits the designer to create much better lighting effects than traditional lighting fixtures by revealing the beauty of linear light.

Fixture Features:

- Low glare version available upon request UGR<19 rated.
- End caps assembled by mechanical screws and magnet structure.
- Lighting CCT/color and CRI could be customized.
- Conform to ETL standard.
- Easy assembly/disassembly, customers do not need to do complicated wiring, use male/female connectors to connect electric power and to do free connection to get comfortable user experience.

PoE Features:

Our intelligent LED PoE Lighting Solutions accelerates digital transformation of facilities in the Internet of Things (IoT) while providing an excellent option to the lighting designer or building management companies that are seeking aesthetic pleasure with digital building solution through the facilities with options of covering multiple building networks beyond the considerations of cost and efficiency.

ORDERING INFORMATION: LI-L5580UD-80W

Product	LI-L5580UD-8
Cover	Plain diffuser
Length	(8ft)
Installation	Pendant/Wall Mounted
Profile Color	Silver/White/Black
CCT (K)	2700K, 3000K, 3500K, 4000K, TW 27K-60K
Nominal Lumen (lm)	9450lm
Distribution / Lumens	25% UP 20W / 2360lm / 40% UP 32W / 3780lm
Distribution / Lumens	75% DN 60W / 7080lm / 60% DN 48W / 5670lm
Beam Angle (°)	95° (Plain diffuser)
CRI (Ra)	≥80 ≥90Optional
Watts	80W
Power Factor	>0.9
Watt (w)	9W Per feet
Using Ambient Temp	T _{amin} =-20°C, T _{amax} =45°C
Protection	IP 40



POWERED BY LED INDUSTRIES

LINEAR LED DIRECT/INDIRECT LISCIO 2.1

Continuous Clean Lines and Clean Light

Trimless Version

Product Description:

The Liscio linear light quick connection series is based on concise style and user experience improvement. Various concise yet fashionable designs can be accomplished quickly through the creative ideas of space lighting designs and free design styles while emphasizing "QUICK" installation. Liscio permits the designer to create much better lighting effects than traditional lighting fixtures by revealing the beauty of linear light.

Fixture Features:

- Low glare version available upon request UGR<19 rated.
- End caps assembled by mechanical screws and magnet structure.
- Lighting CCT/color and CRI could be customized.
- Conform to ETL standard.
- Easy assembly/disassembly, customers do not need to do complicated wiring, use male/female connectors to connect electric power and to do free connection to get comfortable user experience.

PoE Features:

Our intelligent LED PoE Lighting Solutions accelerates digital transformation of facilities in the Internet of Things (IoT) while providing an excellent option to the lighting designer or building management companies that are seeking aesthetic pleasure with digital building solution through the facilities with options of covering multiple building networks beyond the considerations of cost and efficiency.

ORDERING INFORMATION: LI-L5580UD-36W

Product	LI-L5580UD-4
Cover	Plain diffuser
Length	(4ft)
Installation	Pendant/Wall Mounted
Profile Color	Silver/White/Black
CCT (K)	2700K, 3000K, 3500K, 4000K, TW 27K-60K
Nominal Lumen (lm)	4151lm
Direct Watt / Lumens	36W / 4151lm
Beam Angle (°)	95° (Plain diffuser)
CRI (Ra)	≥80 ≥90Optional
Watts	36W
Power Factor	> 0.9
Watt (w)	9W Per feet
Using Ambient Temp	Tamin=-20°C, Tamax=45°C
Protection	IP 40



POWERED BY LED INDUSTRIES

LINEAR LED DIRECT/INDIRECT LISCIO 2.1

Continuous Clean Lines and Clean Light

Trimless Version

Product Description:

The Liscio linear light quick connection series is based on concise style and user experience improvement. Various concise yet fashionable designs can be accomplished quickly through the creative ideas of space lighting designs and free design styles while emphasizing "QUICK" installation. Liscio permits the designer to create much better lighting effects than traditional lighting fixtures by revealing the beauty of linear light.

Fixture Features:

- Low glare version available upon request UGR<19 rated.
- End caps assembled by mechanical screws and magnet structure.
- Lighting CCT/color and CRI could be customized.
- Conform to ETL standard.
- Easy assembly/disassembly, customers do not need to do complicated wiring, use male/female connectors to connect electric power and to do free connection to get comfortable user experience.

PoE Features:

Our intelligent LED PoE Lighting Solutions accelerates digital transformation of facilities in the Internet of Things (IoT) while providing an excellent option to the lighting designer or building management companies that are seeking aesthetic pleasure with digital building solution through the facilities with options of covering multiple building networks beyond the considerations of cost and efficiency.

ORDERING INFORMATION: LI-L5580UD-54W

Product	LI-L5580UD-6
Cover	Plain diffuser
Length	(6ft)
Installation	Pendant/Wall Mounted
Profile Color	Silver/White/Black
CCT (K)	2700K, 3000K,3500K, 4000K, TW 27K-60K
Nominal Lumen (lm)	6750lm
Direct Watt /Lumens	54W / 6750lm
Beam Angle (°)	95° (Plain diffuser)
CRI (Ra)	≥80 ≥90Optional
Watts	54W
Power Factor	> 0.9
Watt (w)	9W Perfeet
Using Ambient Temp	Tamin=-20°C,Tamax=45°C
Protection	IP 40



POWERED BY LED INDUSTRIES

LINEAR LED DIRECT/INDIRECT LISCIO 2.1

Continuous Clean Lines and Clean Light

Trimless Version

Product Description:

The Liscio linear light quick connection series is based on concise style and user experience improvement. Various concise yet fashionable designs can be accomplished quickly through the creative ideas of space lighting designs and free design styles while emphasizing “QUICK” installation. Liscio permits the designer to create much better lighting effects than traditional lighting fixtures by revealing the beauty of linear light.

Fixture Features:

- Low glare version available upon request UGR<19 rated.
- End caps assembled by mechanical screws and magnet structure.
- Lighting CCT/color and CRI could be customized.
- Conform to ETL standard.
- Easy assembly/disassembly, customers do not need to do complicated wiring, use male/female connectors to connect electric power and to do free connection to get comfortable user experience.

PoE Features:

Our intelligent LED PoE Lighting Solutions accelerates digital transformation of facilities in the Internet of Things (IoT) while providing an excellent option to the lighting designer or building management companies that are seeking aesthetic pleasure with digital building solution through the facilities with options of covering multiple building networks beyond the considerations of cost and efficiency.

ORDERING INFORMATION: LI-L5580UD-80W

Product	LI-L5580UD-8
Cover	Plain diffuser
Length	(8ft)
Installation	Pendant/Wall Mounted
Profile Color	Silver/White/Black
CCT (K)	2700K, 3000K, 3500K, 4000K, TW 27K-60K
Nominal Lumen (lm)	9450lm
Direct Watt / Lumens	80W / 9450lm
Beam Angle (°)	95° (Plain diffuser)
CRI (Ra)	≥80 ≥90Optional
Watts	80W
Power Factor	> 0.9
Watt (w)	9W Per feet
Using Ambient Temp	Tamin=-20°C, Tamax=45°C
Protection	IP 40

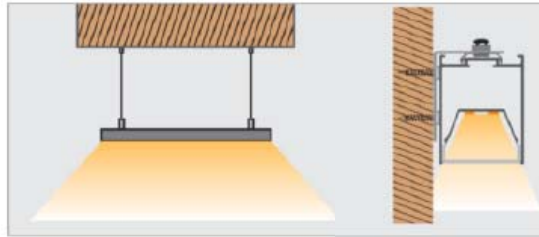


POWERED BY LED INDUSTRIES

LINEAR LED DIRECT/INDIRECT LISCIO 2.1

Continuous Clean Lines and Clean Light
Trimless Version

Mounting Option



PENDANT

WALL



• Pendant



L-PTB



L-PT



L-PTB-NPF

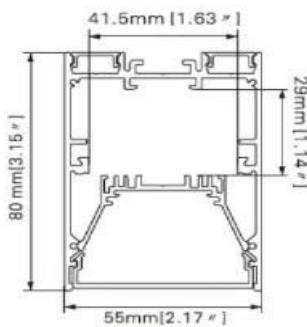


L-PTB-PF



• Wall mounted L457-WM

Dimensions



Standard color





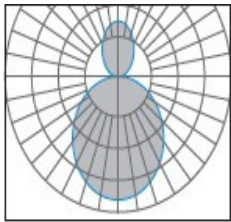
POWERED BY LED INDUSTRIES

LINEAR LED DIRECT/INDIRECT LISCIO 2.1

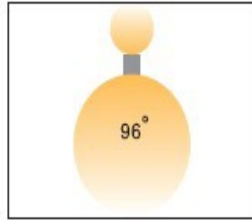
Continuous Clean Lines and Clean Light

Trimless Version

Spectroscopic Data



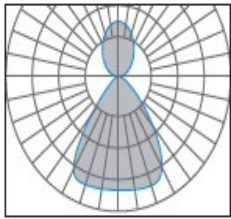
PDM



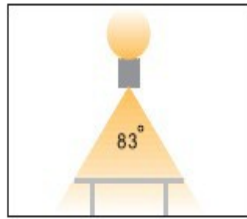
100% DN



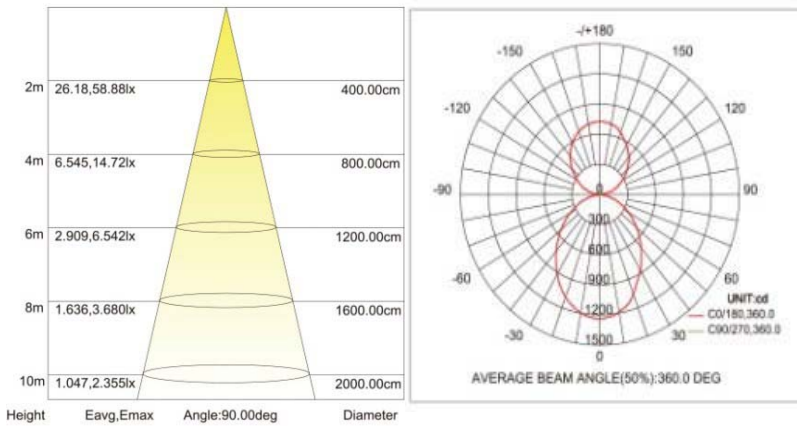
60% DN 40% UP



UGR < 19



75% DN 25% UP





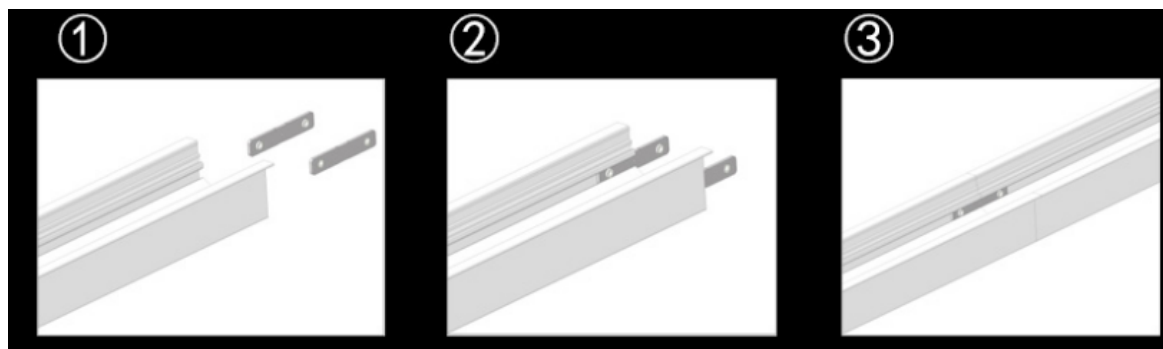
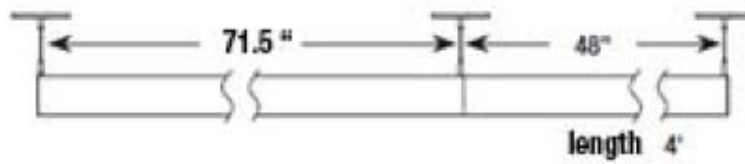
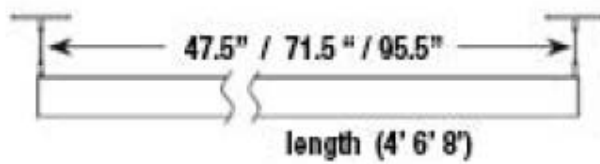
POWERED BY LED INDUSTRIES

LINEAR LED DIRECT/INDIRECT LISCIO 2.1

Continuous Clean Lines and Clean Light

Trimless Version

Creating Clean line for custom length





POWERED BY LED INDUSTRIES

LINEAR LED DIRECT/INDIRECT LISCIO 2.1

Continuous Clean Lines and Clean Light
Trimless Version



← 2700K-3300K Warm White 4200K-4500K Natural White



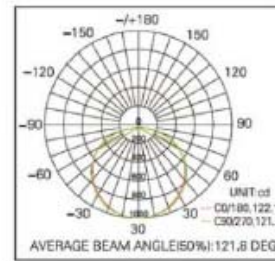
CRI 80



CRI 90

1m	234.2,997lx	356.29cm
2m	58.56,249.3lx	712.59cm
3m	26.03,110.8lx	1068.88cm
4m	14.64,62.31lx	1425.17cm
5m	9.370,39.88lx	1781.46cm
6m	6.507,27.69lx	2137.76cm
7m	4.781,20.35lx	12494.05cm
8m	3.660,15.58lx	2850.34cm
9m	2.882,12.31lx	3206.63cm
10m	2.342,9.970lx	3562.93cm

Height Eavg,Emax Angle:121.39deg Diameter



Remark:

- Output data is from test result of 4ft PDM linear light fixture;
- Tolerance ± 10%