



POWERED BY LED INDUSTRIES

PROJECT:

TYPE:

## II Cervo PENDANT SERIES

### Description:

The II Cervo Pendant series derives its name from the Italian word for the stag. The design of the finished metal rods bare a similar resemblance to that of a stag's antlers. Simply customizable, the II Cervo can be utilized in a multitude of interior designs, while also being used as a functional lighting piece.

- **SPECIFICATIONS:**
  - **Material:**
    - Metal
    - Acrylic
  - **Dimensions:**
    - W: 127"
    - H:28"
    - L: 28"
    - 96" Adjustable
- **ELECTRICAL:**
  - **PoE Input CC:**
    - **Voltage:** 36VDC
    - **Current:** 1.940A
  - **Wattage (W):** 2 x 35W
  - **LED Lumens/Watt:** 100 LM/W
  - **Light Source:**
    - LED integrated
  - **IP Rating:** IP 20
  - **Controls:** 100% dimming with PoE Driver.
- **LABELS:**
  - Conforms to UL STD 1598; Certified to CAN/CSA STD
  - LED light assembly conforms to UL 2108 for remote installation.
  - RoHS compliant
- **WARRANTY:**
  - 5-Year Limited Warranty





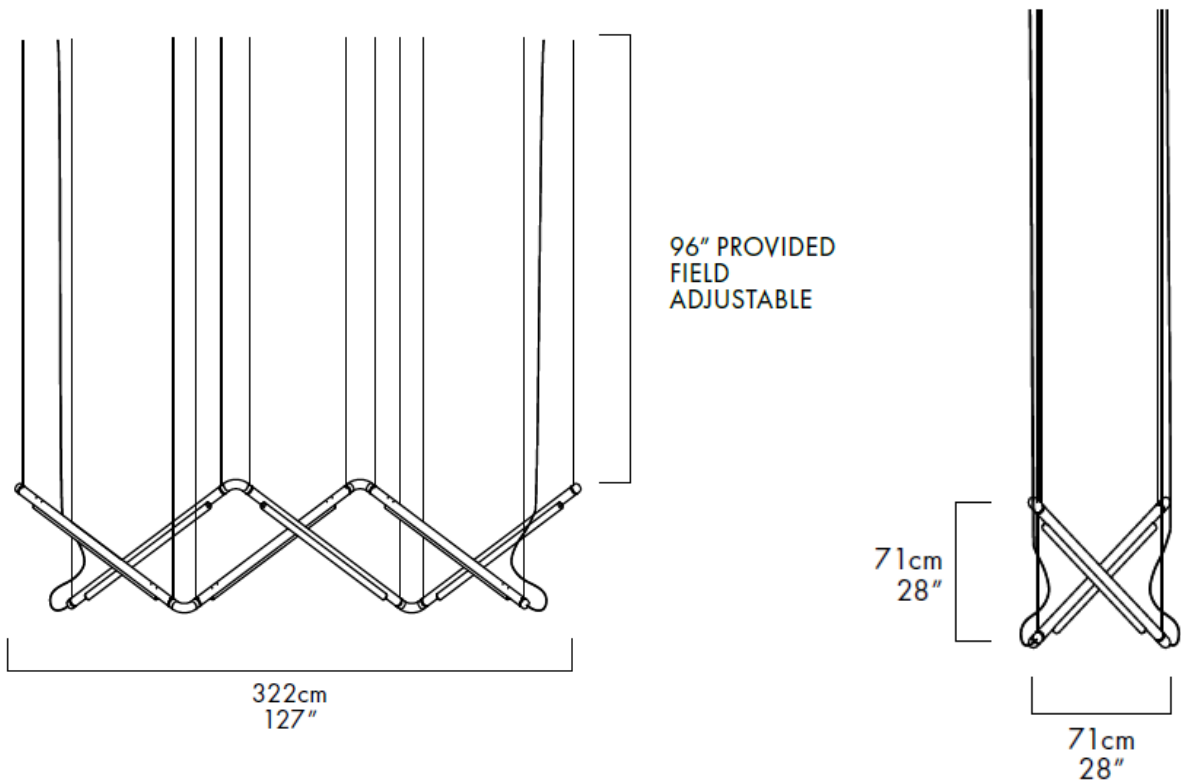
POWERED BY LED INDUSTRIES

## II Cervo PENDANT SERIES

### PoE FEATURES:

Our intelligent LED PoE lighting solutions accelerates digital transformation of facilities in Internet of Things (IoT) while providing an excellent option to the lighting designer or building management companies that are seeking aesthetic pleasure with digital building solutions thought the facilities with options of covering multiple building networks beyond considerations of cost and efficiency.

### Dimensions:



### ORDERING INFORMATION

Ordering Example: LI-IC-PS-45-30-1-PD-BL

Model	Watts	Nominal Lumen	CRI	Color Temp	Voltage	Dimmable	Finish
LI-IC-PS	70-70W	7000LM	>80	30 - 3000K	1-PoE-N	PD-PoE Dim.	CP-Copper BK-Black BR- Brass

LED Industries reserves the right to change specs or exchange fixtures without further notice