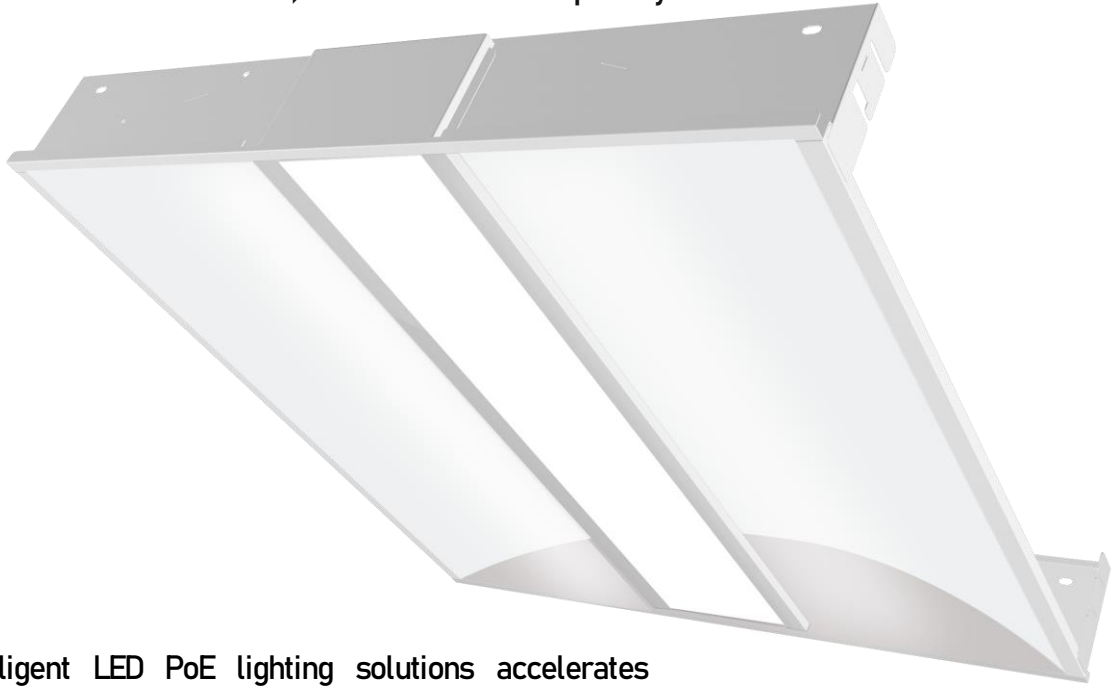




The TT Series PoE Troffer offers a traditional yet modern design with the latest lighting technology. High performing optics allows for maximum energy savings and optimal illumination in a ultra-minimalistic shallow recessed fixture, which provides a unique translucent appearance without sacrificing performance. This troffer can be used for a variety of applications including, but not limited to commercial, residential and hospitality.



Our intelligent LED PoE lighting solutions accelerates digital transformation of facilities in Internet of Thing (IoT) while providing an excellent option to the lighting designer or building management companies that are seeking aesthetic pleasure with digital building solutions throughout the facilities with option of covering multiple building network. Beyond considerations of cost and efficiency.

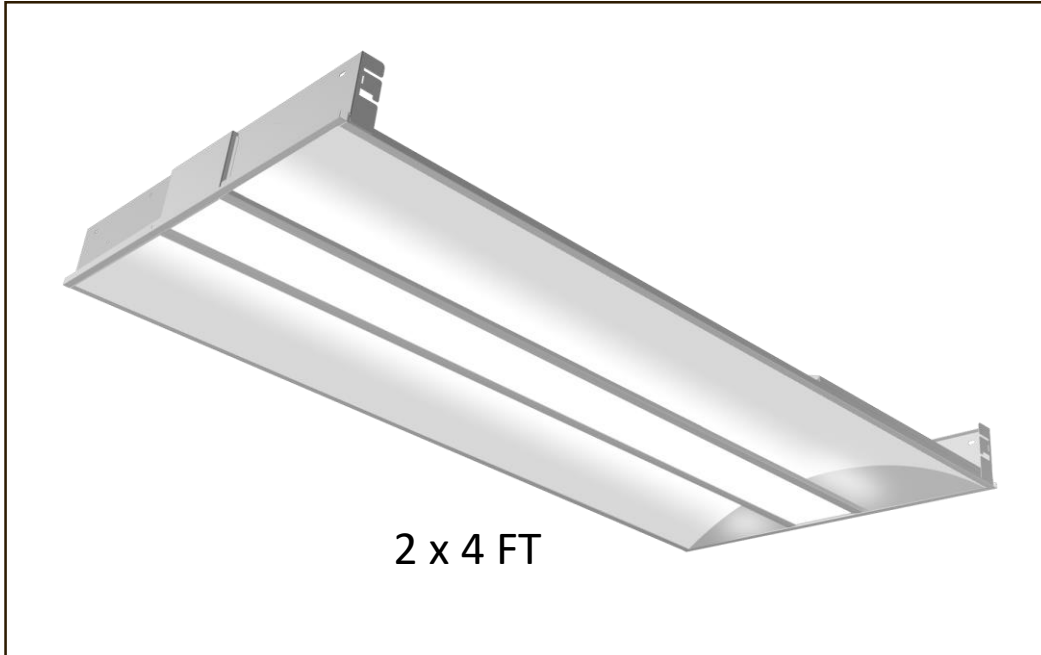
#### SPECIFICATIONS:

- Input Voltage: PoE Compatible
- Wattage (W): 25W
- Lumens (L): 3250
- CRI >83
- Damp location rated, IP20
- Controls 0-10V dimming with PoE driver



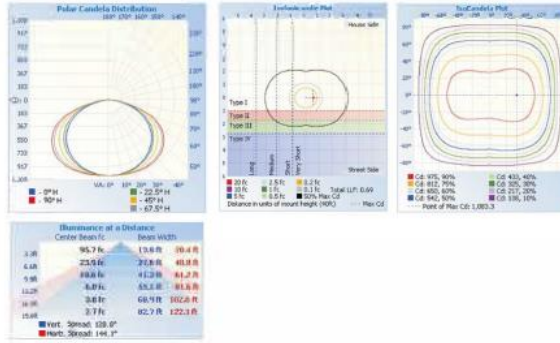


SIZES:





**PHOTOMETRIC DATA:**

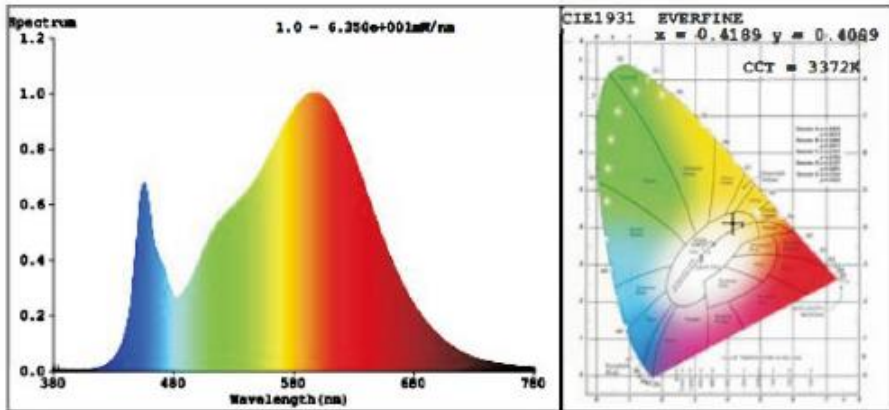


**ZONAL LUMEN TABULATION**

Zonal Lumen Summary		
Zone	Lumens	% Luminaire
0-30	868.2	21.3%
0-40	1,492.8	36.6%
0-60	2,951.1	72.3%
60-90	1,122.5	27.5%
70-100	485.2	11.9%
90-120	4.8	0.1%
0-90	4,073.6	99.8%
90-180	9.3	0.2%
0-180	4,082.8	100%

Lumens Per Zone					
Zone	Lumens	% Total	Zone	Lumens	% Total
0-10	99.4	2.4%	90-100	1.5	0%
10-20	294.1	7.2%	100-110	1.6	0%
20-30	474.6	11.6%	110-120	1.7	0%
30-40	624.7	15.3%	120-130	1.6	0%
40-50	721.7	17.7%	130-140	1.2	0%
50-60	736.5	18.0%	140-150	0.8	0%
60-70	638.8	15.6%	150-160	0.5	0%
70-80	390.6	9.6%	160-170	0.3	0%
80-90	93.1	2.3%	170-180	0.1	0%

**SPECTRAL POWER DISTRIBUTION & CHROMATICITY DIAGRAM**



Ordering Example:  
LI-PoE-TT22-R-1

**ORDERING INFORMATION**

Model	Sizes	Watts	Lumen	PoE	Color Temp.	CRI	PoE Dimmable	Finish
LI-PoE-TT22-R	1=2x2 2=2x4	25W 50W	3250 6500	Compatible	Tunable White	>83	Yes	White