

## Architectural LED Ground Luminaries

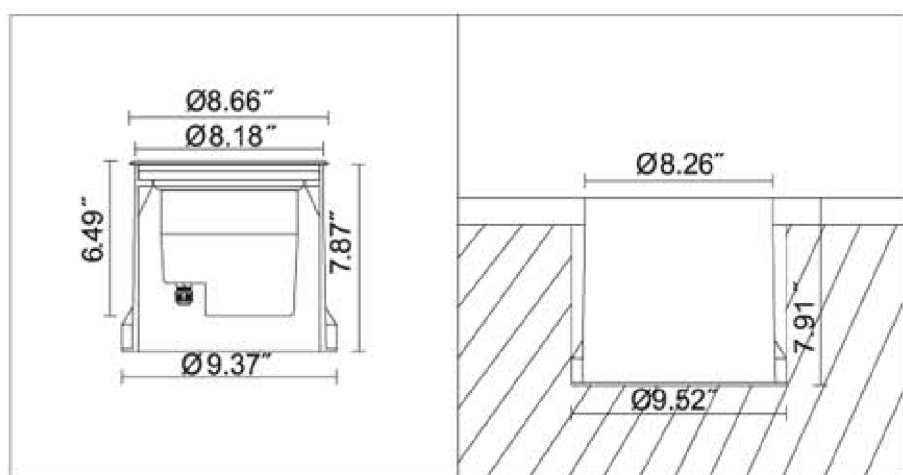


### LIGR02 LED 7W, 15W

#### Applications

Ingrade uplight with OMX controlled RGB color changes as well as dimmable white light, multiple beam angle options including asymmetric spread, and adjustable aiming by manual tilting up to  $\pm 15^\circ$ , ideally suited for burial installations in concrete and lawns for grazing walls and columns, highlighting art objects such as sculptures and lighting up trees and bushes.

#### Dimensions



#### Ordering Guide:

Example: LIGR02 - C7 - 3 - 08 - 80 - S4 - NDM

1	2	3	4	5	6	7	8
Series	Power	CCT	Beam Angle	Ra	Face Cover	Control	Accessories
LIGR02	C7: Cree 7W C15: Cree 15W	3: 3000K 4: 4000K 6: 6000K R:Red G:Green B:Blue RGB:RGB	08: 08° 25: 25° 1540: 15°x50°	80: Ra80 90: Ra90	S4: 304 Stainless steel S6: 316 Stainless steel	NDM: No dimming DMG: 0-10V Dimming OMX: OMX Decoder	T: Honeycomb Louver M: Marine ambient corrosion resistance

#### Specifications

Housing	Die-cast aluminum
Gasket	Silicone rubber
Top Cover	Clear Tempered Glass
LED Optic	PMMA Lens
Cover Ring	Stainless steel
Driver Type	PoE
Input Voltage	24V
Ambient Temperature	-20°C-45°C
CCT	3000K - 4000K - 6000K-R-G-B-RGB
Beam Angle	15° / 25° / 15°x50°
Adjustable Aiming	Manual tilting $\pm 15^\circ$ (Standard)

#### LED Lumens

3000K - 540lm
7W 4000K - 600lm
6000K - 660lm
3000K - 1080lm
15W 4000K - 1200lm
6000K - 1320lm

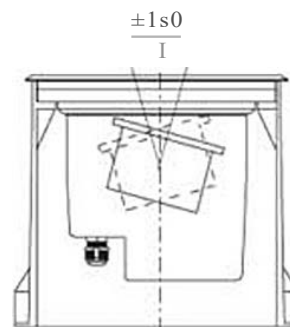
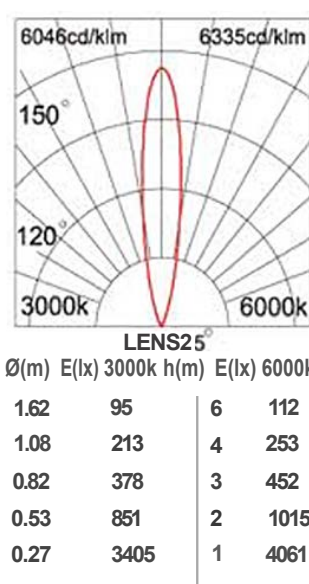
#### Ingress Protection



#### Certifications

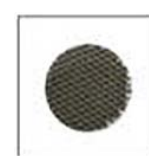


#### Photometric data



Manual tilting  $\pm 15^\circ$  (Standard)

#### Accessories



Honeycomb Louver



15°x50°