

Moliaga Pendant

Description:

Moliaga Pendant a group of lines that create an elegant, fascinating symphony in a suspended, almost magical equilibrium and give life to a new lamp designed to feature in large public and private spaces. Aluminium elements flow and combine together to give the lamp a light, bodiless effect. This magnificent luminaire is certain to flawlessly and gorgeously illuminate any space.

SPECIFICATIONS:

Material:

- Varnished Aluminum and Metal

Dimensions: W X H

- 29.5" x 31.9"

Cable Length

- 193"

ELECTRICAL:

Input Voltage:

- PoE
- 100-277V

Wattage (W): 20W (Maximum)

LED Lumens/Watt: 100 LM/W

Light Source:

- E26
- Controls: 0-10V dimming with PoE Driver.

LABLES:

- ETL conforms to UL STD 1598; Certified to CAN/CSA STD
- LED light assembly conforms to UL 2108 for remote installation.
- RoHS compliant

WARRANTY:

- 5-Year Limited Warranty

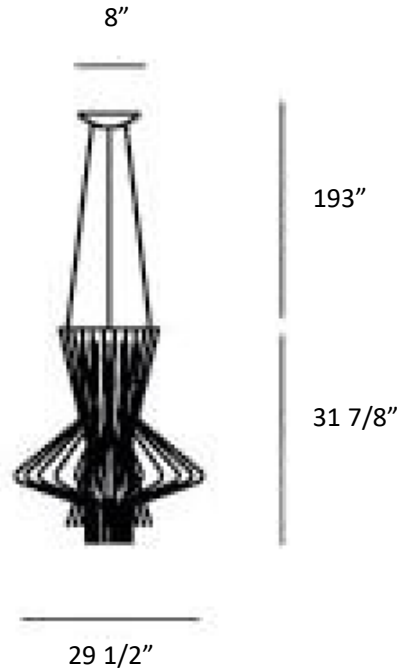




POWERED BY LED INDUSTRIES

Moliaga Pendant

Dimensions:



ORDERING INFORMATION

Ordering Example: LI-ML-108

Model	Watts	Nominal Lumen	CRI	Color Temp	Voltage	Dimmable	Finish
LI-ML-108	20W	1600	>90	27 - 2700K 30 - 3000K 35 - 3500K	1-PoE-N 2-100-277V	PD-PoE Dim. N-None	Black Gold Copper

LED Industries reserves the right to change specs or exchange fixtures without further notice

Page 2 of 2