

Serene pendant

Description:

The light combination Serene pendant has a diameter of 17.32inch. This light combination consists of four individual pendant lights, which are suspended from the canopy in different lengths. The brown canopy has slots for the cables to allow for adjustability and individual placement. Each of the four lamp shades made of completely natural beech wood is carefully finished by hand.

▪ SPECIFICATIONS:

▪ Material:

- aluminum, Metal, wood

▪ Dimensions: L X W

- H 61" x D 17.32"
- Shade D : 7.87" x H: 10"
- Canopy: 12.6"

▪ ELECTRICAL:

▪ Input Voltage:

- PoE
- 100-277V

▪ Wattage (W): 5 x 4W (Maximum)

▪ LED Lumens/Watt: 100 LM/W

▪ Light Source:

- GU26

▪ Controls: 0-10V dimming with Poe Driver.

▪ LABELS:

- ETL conforms to UL STD 1598; Certified to CAN/CSA STD
- LED light assembly conforms to UL 2108 for remote installation.
- RoHS compliant

▪ WARRANTY:

- 5-Year Limited Warranty

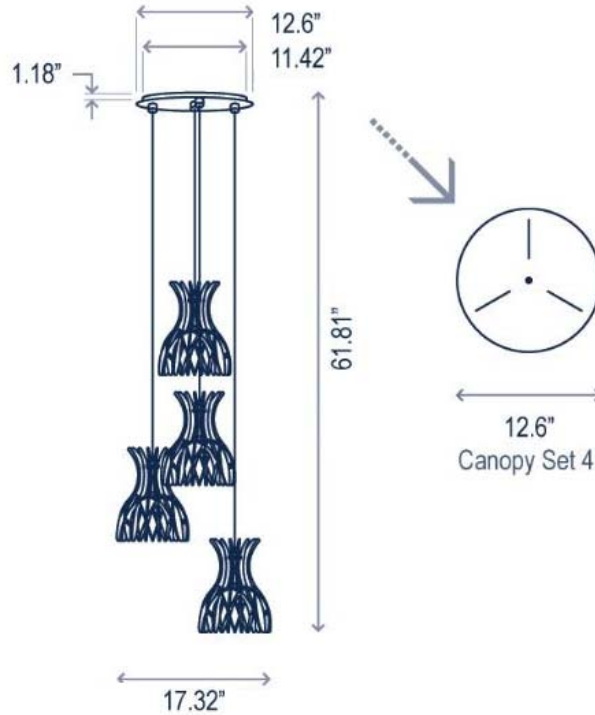




POWERED BY LED INDUSTRIES

Serene pendant

Dimensions:



ORDERING INFORMATION

Ordering Example: LI-SR-LT-109

Model	Watts	Nominal Lumen	CRI	Color Temp	Voltage	Dimmable	Finish
LI-SR-LT-109	4 x 5W	2000lm	>90	27 - 2700K 30 - 3000K 35 - 3500K	1-PoE-N 2-100-277V	PD-PoE Dim. N-None	Natural beech wood