





POWERED BY LED INDUSTRIES

# LED DOWNLIGHT SERIES

## Finish

- Exterior white powder coat finish
- Also available in Black, Oil-Rubbed Bronze and Nickel

## Installation

- 2" recessed housings required: Available in remodel, new construction, and IC/ Airtight new
- Quick and easy installation with a snap-in IDEAL connector and friction clip mounting system

## Listing / Warranty

- ETL listed to US and Canadian standards for damp location W/Feed through.
- 5 Year Limited Warranty.

## Applications

- Apply to automotive and parking, education, government, healthcare, hospitality, offices and banks, religious, retail.

## Parameter

Input Voltage	PoE-N
Power	8W
Lumen	600lm
System Efficacy	75Lm/W
CCT	3000K, 4000K, 5000K
CRI	80CRI

## Ordering Guide

Series/Shape	Lumen	Voltage	CCT	Finish
<input type="checkbox"/> BL2-R-NC/Round Shape	<input type="checkbox"/> 600lm	<input type="checkbox"/> PoE-N	<input type="checkbox"/> 3000K	<input type="checkbox"/> White
<input type="checkbox"/> BL2-S-NC/Square Shape			<input type="checkbox"/> 4000K	<input type="checkbox"/> Nickel
2" LED Downlight			<input type="checkbox"/> 5000K	<input type="checkbox"/> Black
				<input type="checkbox"/> Oil Rubbed Bronze
<b>Optical</b>				
<input type="checkbox"/> 24°				
<input type="checkbox"/> 36°				

\*Other Special Requirements Please Contact with Our Factory

LED DOWNLIGHT

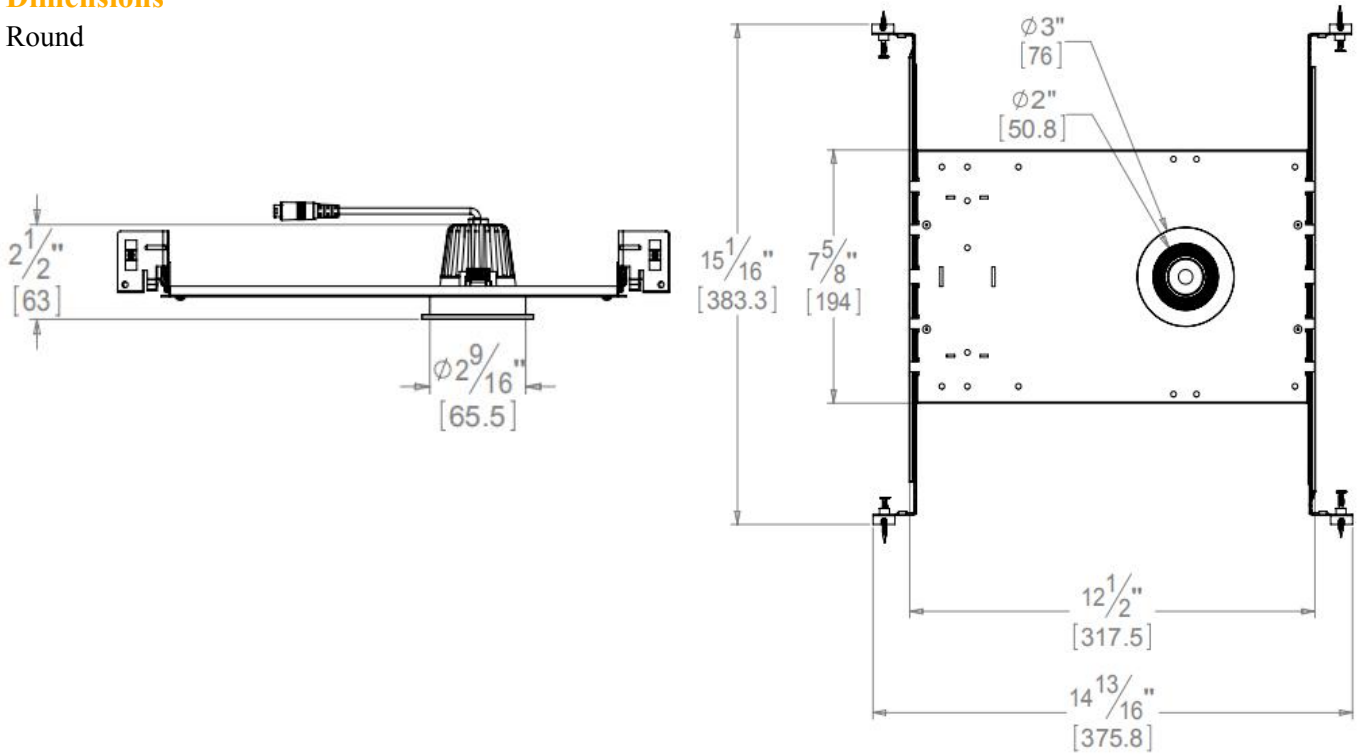


POWERED BY LED INDUSTRIES

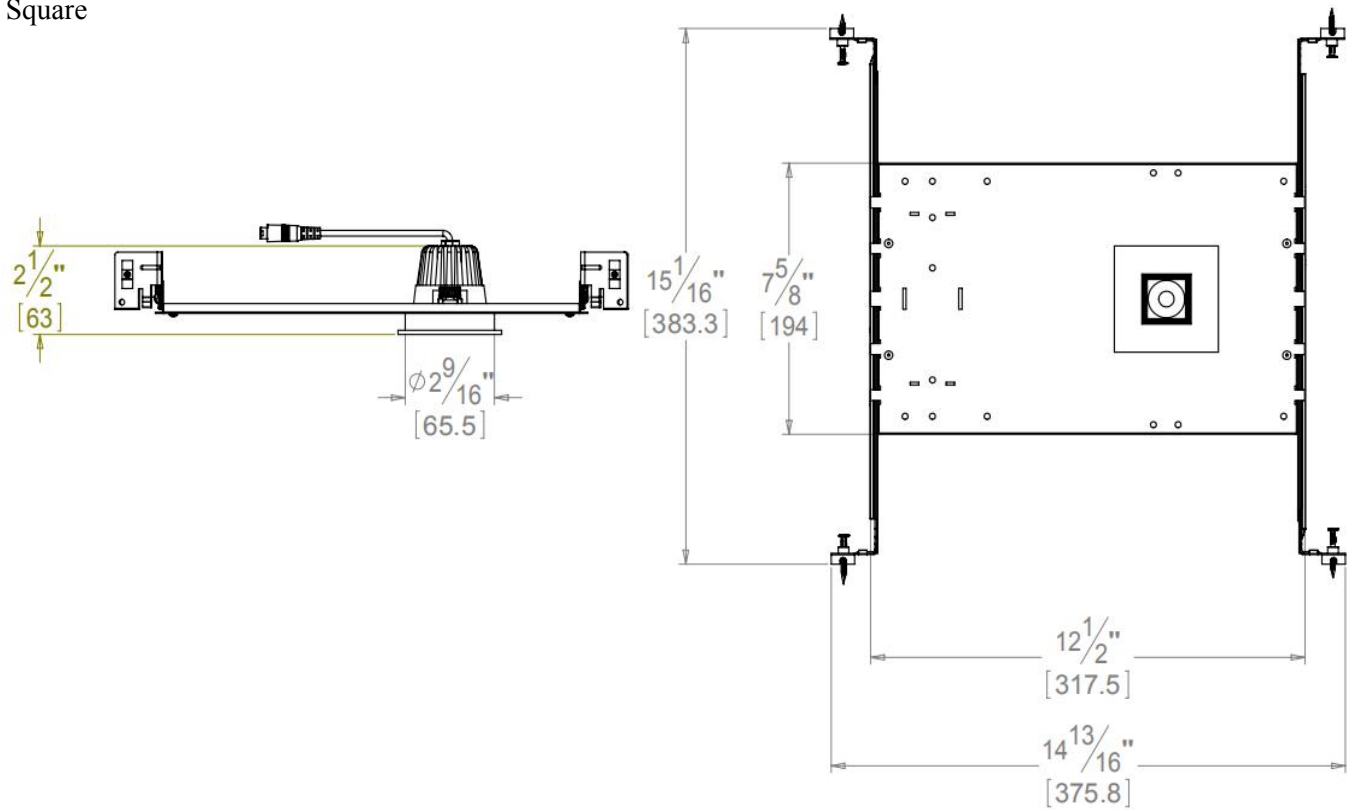
# LED DOWNLIGHT SERIES

## Dimensions

Round



Square



LED DOWNLIGHT