

Square Adjustable Downlight

3"inch Trim and Trimless



SPECIFICATION:

DARK LIGHT:

Dark light sets a more natural mood because you cannot see the artificial light source, thereby creating unobtrusive lighting. Instead of having bright areas of light dominating a space, dark light luminaires can be used to create a discreet lighting setup where it is hard to notice where the light comes from.

TRIM / TRIMLESS:

3 Inch square LED Downlight Trim & trimless Flush Mount Recessed Light Fixture is designed for lasting durability and beauty while providing quality and energy efficient lighting for low to medium ceilings. Module construction includes LED, heat sink, reflector, lens, baffle and trim ring

MOUNTING:

Two steel torsion springs mounting are pre-installed allow for easy and secure mounting in most 5" and 6" IC and non-IC housings.

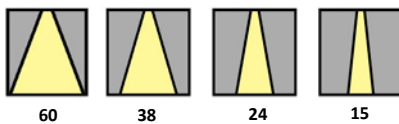
OPTICS:

Lens Clear Tempered, Sand Blasted

DIMMING:

Dimming with PoE-Node.

BEAM ANGLE:



Catalog #		Type
Project		
Comments		Date
Prepared by		

FEATURES:

- Product Specification LED Downlight
- Model IL- SAD03-XX
- CCT 2700K, 3000K, 4000K
- Description 3" Downlight
- CRI ≥ 90
- Finishes White- See below for details
- Power 8W , 12W
- Input Voltage PoE-CC
- Suitable Dry, damp, wet locations.
- Operating Temperature -65
- Power Factor >0.9
- Lumens 80lm / w
- Dimming Yes
- Certification ETL
- Warranty 5 years

ELECTRICAL:

Input Voltage: PoE-CC

Lumens / Wattage: 640lm / 8W, 960lm / 12W

Color Temperature: 2700K, 3000K or 4000K

CRI: ≥ 90

Life Time: 50,000 hours

CERTIFICATE:

ETL

WARRANTY:

Five-years limited warranty.

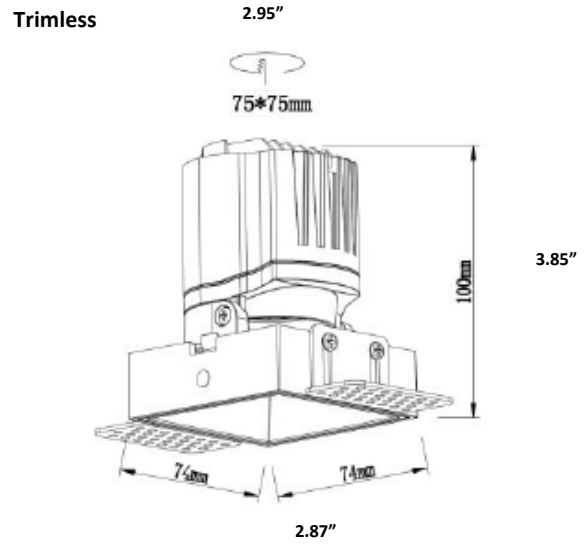
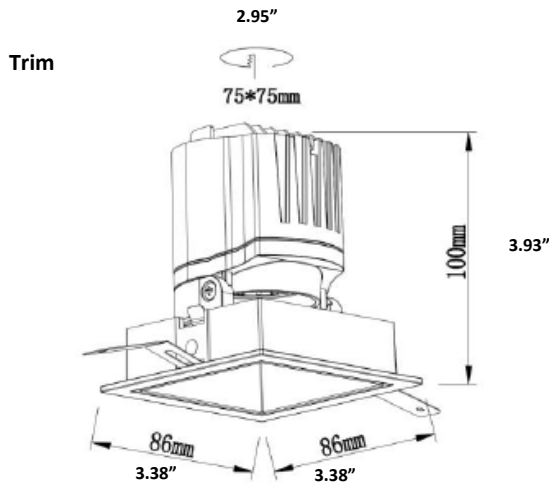


Due to continuous improvements, the information herein may be changed without notice

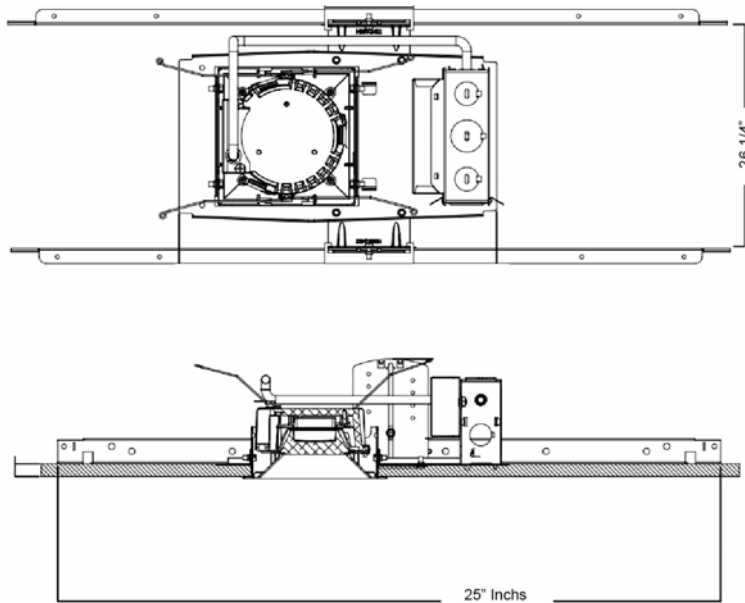
Square Adjustable Downlight

3"inch Trim and Trimless

Dimension :



IC Housing :



Due to continuous improvements, the information herein may be changed without notice

Square Adjustable Downlight

3"inch Trim and Trimless



Reflector Finish :

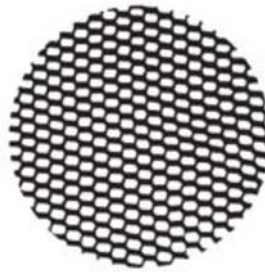


Black

Sliver

White

Lens types :



Honeycomb



Solite

Ordering Example: IL - SAD03-1-1-1

Series	Power	Input	Color Temp.	Beam	Finish	Reflector	Dimming	Lens
IL- SAD03 -XX	1 = 8W 2 = 12W	8 @ 0.225A 12 @ 0.335A	1 = 2700K 2 = 3000K 3 = 4000K	1 = 15 2 = 24 3 = 38 4 = 60	1 = White 2 = Custom	1 = Black 2 = Sliver 3 = Golden	Yes	1 = Solite 2 = Honeycomb

Due to continuous improvements, the information herein may be changed without notice